



FERRARI Motor mowers, FERRARI 2-wheel tractors

340 PS

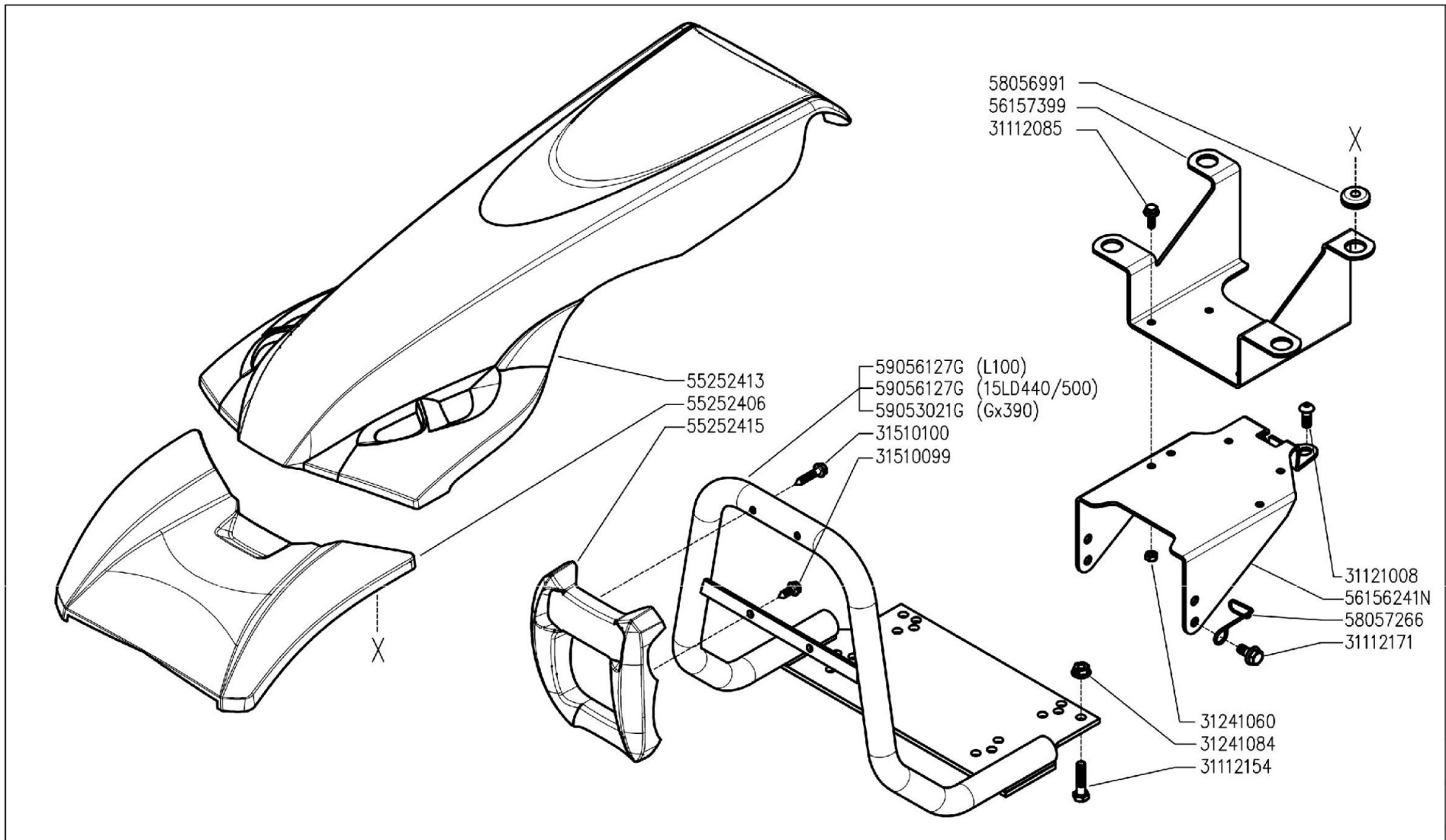
01/09/2021

A30003 - 340 PS.....	4
A02_0_66730 - ENGINE PROTECTIONS.....	7
A02_1_77305 - ENGINE PROTECTIONS.....	9
A.02.01.A0003_02 - ENGINE PROTECTIONS.....	11
A.02.01.A0003_03 - ENGINE PROTECTIONS.....	13
A.02.01.A0003_04 - ENGINE PROTECTIONS.....	15
B01_0_66748 - POWERSAFE CLUCH CONTROL.....	17
B01_1_72788 - POWERSAFE CLUCH CONTROL.....	20
B01_2_77329 - POWERSAFE CLUCH CONTROL.....	23
B.01.01.A0001_03 - POWERSAFE CLUCH CONTROL.....	25
B.01.01.A0001_04 - POWERSAFE CLUCH CONTROL.....	27
B.01.01.A0001_05 - POWERSAFE CLUCH CONTROL.....	29
C01_0_66780 - CYLINDER AND POWERSAFE CLUTCH.....	31
C01_1_72820 - CYLINDER AND POWERSAFE CLUTCH.....	33
C.01.01.A0001_02 - CYLINDER AND POWERSAFE CLUTCH.....	35
D01_0_66794 - POWERSAFE FILTER UNIT.....	37
D01_1_77361 - POWERSAFE FILTER UNIT.....	39
D.01.01.A0001_02 - POWERSAFE FILTER AND UNIT.....	41
D.01.01.A0001_03 - POWERSAFE FILTER AND UNIT.....	43
E01_0_66804 - POWERSAFE CLUTCH HUB.....	45
E01_1_77371 - POWERSAFE CLUTCH HUB.....	47
E.01.01.A0001_02 - POWERSAFE CLUTCH HUB.....	49
E.01.01.A0001_03 - POWERSAFE CLUTCH HUB.....	51
F01_0_66821 - ENGINE FLANGES.....	53
F01_1_77388 - ENGINE FLANGES.....	55
F.01.01.A0001_02 - ENGINE FLANGES.....	57
G02_0_66903 - GEARBOX.....	59
H03_0_66965 - GEARS.....	61
H03_1_77469 - GEARS.....	64



H.03.02.A0003_02 - GEARS.....	67
H.03.02.A0003_03 - GEARS (340-360).....	70
H.03.02.A0003_04 - GEARS (340-360).....	73
H.03.02.A0003_05 - GEARS (340-360).....	76
I03_0_67089 - WHEELS AXLE.....	79
J03_0_67191 - STEERING COLUMN.....	81
J03_1_77552 - STEERING COLUMN.....	83
J03_2_77555 - STEERING COLUMN.....	85
K03_0_67265 - HANDLEBAR.....	87
K03_1_77574 - HANDLEBAR (340_346_360).....	90
L03_1_77607 - HANDLEBAR CONTROLS.....	93
L03_0_67358 - HANDLEBAR CONTROLS.....	96
L.03.01.A0003_02 - HANDLEBAR CONTROLS.....	99
M03_0_67475 - CONTROLS.....	102
M03_1_77650 - CONTROLS (340_346_360).....	105
M.03.01.A0003_02 - CONTROLS (340_360).....	108
M.03.01.A0003_03 - CONTROLS (340_360).....	113
N02_0_67525 - BRAKES.....	116
N02_1_77691 - BRAKES.....	118
N.02.01.A0003_02 - BRAKES.....	120
P01_0_67539 - WHEELS.....	122
P01_1_81340 - WHEELS.....	124
Q01_0_67569 - ELECTRIC STARTER.....	126
Q01_1_81859 - ELECTRIC STARTER.....	128
R01_0_67594 - STICKERS.....	130
R02_0_67613 - STICKERS.....	132
R02_1_82042 - STICKERS.....	134
R.02.01.A0003_02 - STICKERS.....	136
S.01.01.A0027_00 - ENGINE COVER KIT.....	138





300 serie PS
PowerSafe®

ENGINE PROTECTIONS
PROTECCIONES MOTOR

PROTEZIONI MOTORE
(340 / 346)

PROTECTIONS MOTEUR
MOTORSCHUTZ

DALLA MACCHINA
DE LA MAQUINA
FROM THE MACHINE
AB DER MASCHINE

N.

A02

05/2009

Rev.

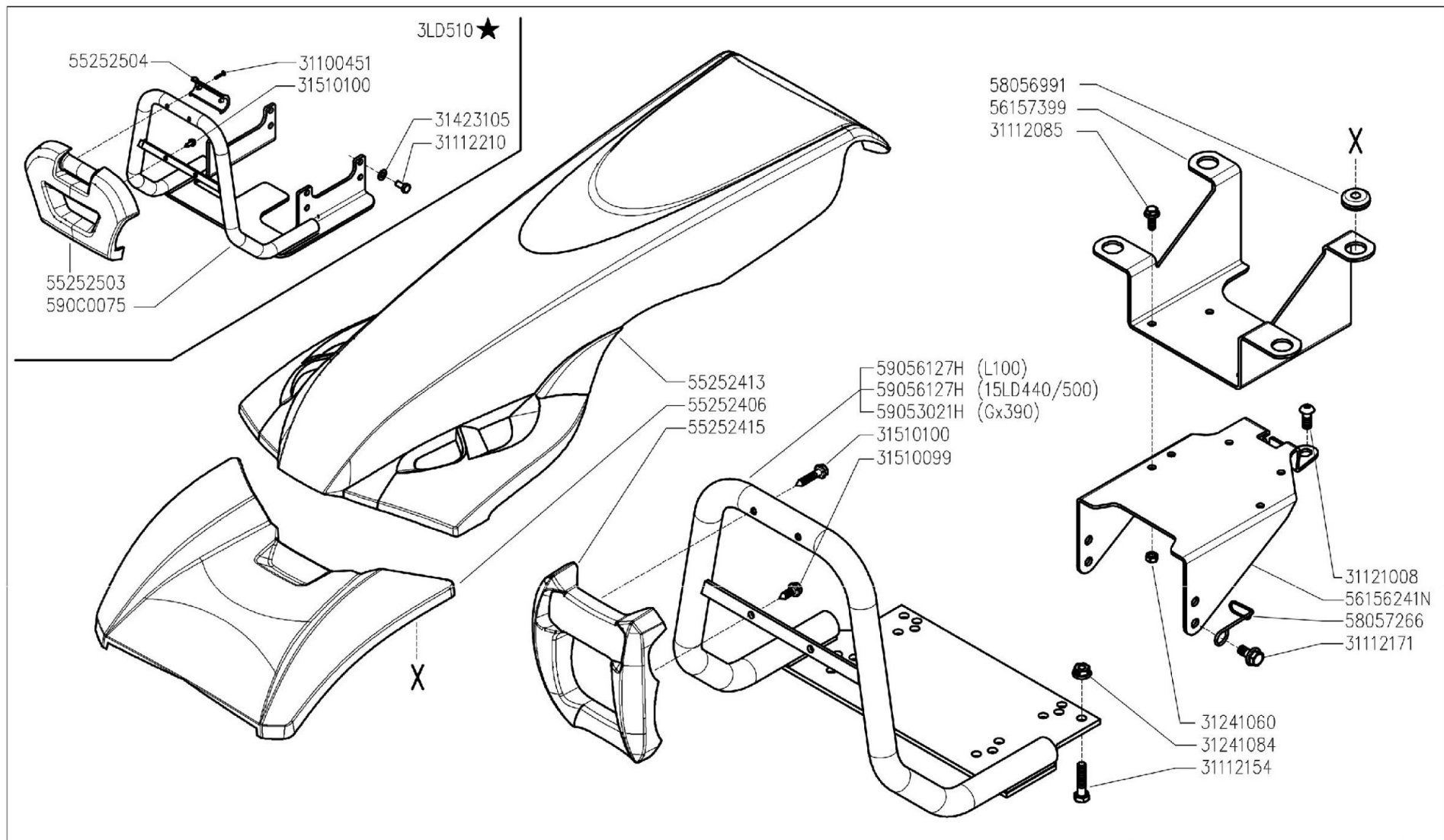
0

DITE.ECS - Scala 1:5



Pos.	Id	Q.ty	Description	Note
31112085	31112085	1	SCREW TE M6X16 DIN 6921 8G	
31112154	31112154	1	SCREW TE M8X40 UNI 5739 8G	
31112171	31112171	1	SCREW TE C/F M8X16 DIN 6921	
31121008	31121008	1	SCREW TBCEI M10X16 ISO 7380	
31241060	31241060	1	HEXAGON SELFLOCK NUT M6	
31241084	31241084	1	SELFLOCK NUT M8 6S	
31510099	31510099	1	RIBBED SCREW 6,3X38 UNI 6950	
31510100	31510100	1	RIBBED SCREW 6,3X19 UNI 6950	
55252406	55252406	1	GUARD BATTERY BOX	
55252413	55252413	1	GUARD	
55252415	55252415	1	GUARD	
56157399	56157399	1	HOLDER	
58056991	58056991	1	CABLE GLAND 90/200/30	
58057266	58057266	1	HOLDER	
56156241N	56156241N	1	TUNNEL	
59053021G	59053021G	1	COMPLETE BUMPERS	
59056127G	59056127G	1	COMPLETE BUMPERS	





300 serie PS
PowerSafe®

ENGINE PROTECTIONS
PROTECCIONES MOTOR

PROTEZIONI MOTORE
(340-346-360 ★)

PROTECCIONES MOTEUR
MOTORSCHUTZ

DALLA MACCHINA
DE LA MAQUINA
FROM THE MACHINE
AB DER MASCHINE

★ N.

AGGIORNAMENTO
APLAZAMIENTO
MISE A JOUR
REVISION
ANPASSUNG

A02

11/2010

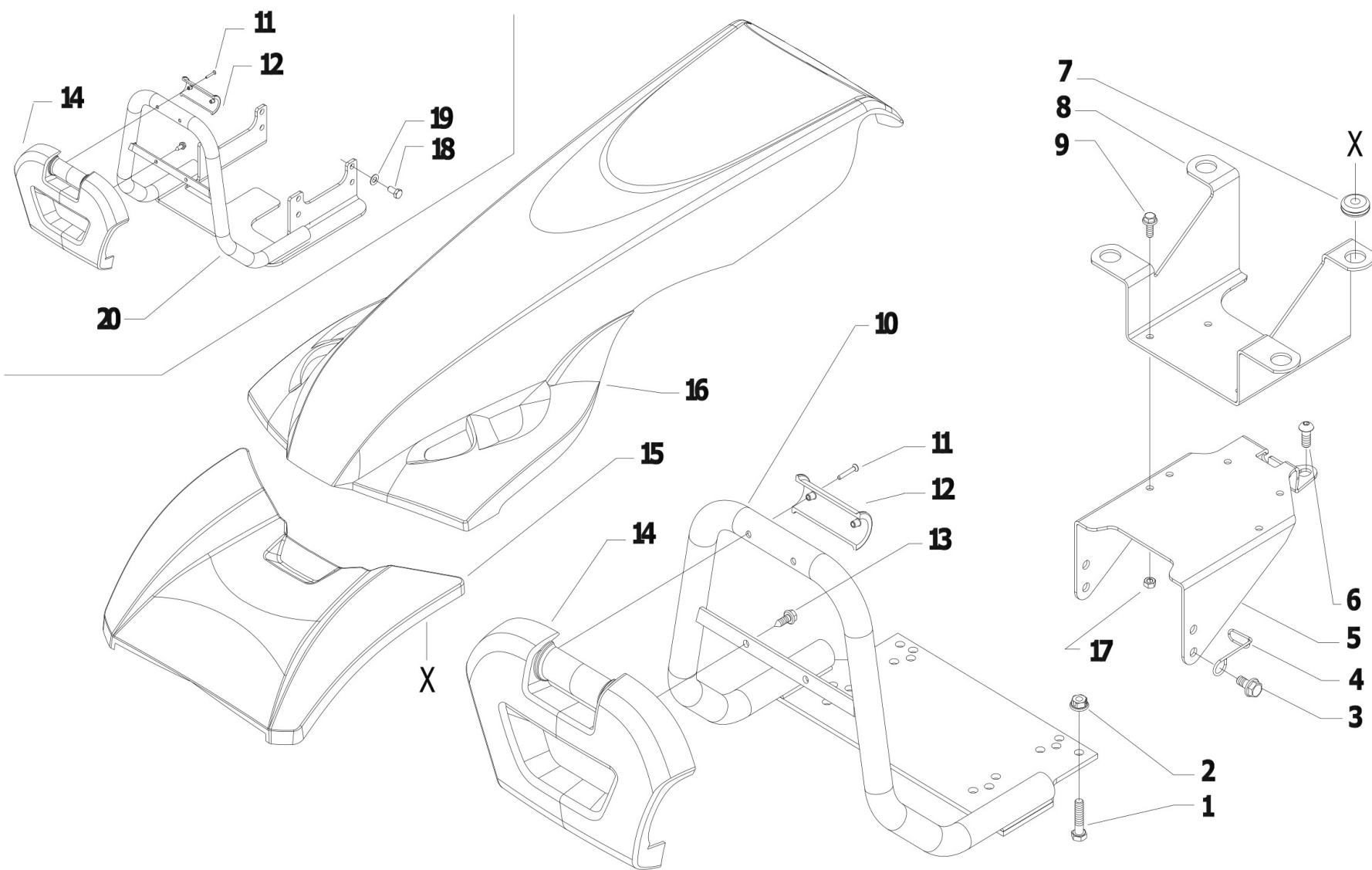
Rev. 1

DITEBCS - Scala 1:5



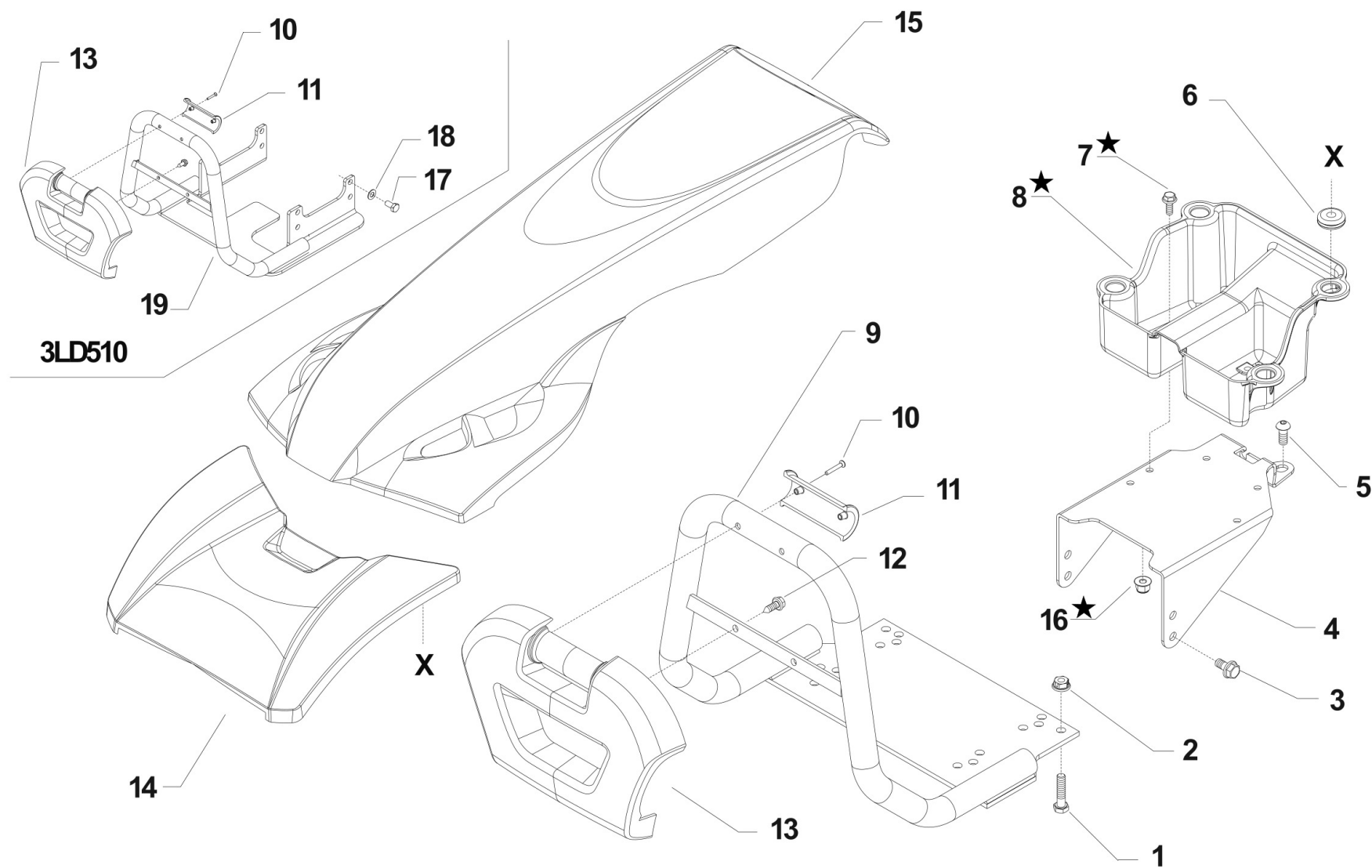
Pos.	Id	Q.ty	Description	Note
31100451	31100451	1	SCREW 3,5X25	
31112085	31112085	1	SCREW TE M6X16 DIN 6921 8G	
31112154	31112154	1	SCREW TE M8X40 UNI 5739 8G	
31112171	31112171	1	SCREW TE C/F M8X16 DIN 6921	
31112210	31112210	1	SCREW TE M10X20 UNI 5739	
31121008	31121008	1	SCREW TBCEI M10X16 ISO 7380	
31241060	31241060	1	HEXAGON SELFLOCK NUT M6	
31241084	31241084	1	SELFLOCK NUT M8 6S	
31423105	31423105	1	SPRING WASHER 10,5	
31510099	31510099	1	RIBBED SCREW 6,3X38 UNI 6950	
31510100	31510100	1	RIBBED SCREW 6,3X19 UNI 6950	
55252406	55252406	1	GUARD BATTERY BOX	
55252413	55252413	1	GUARD	
55252415	55252415	1	GUARD	
55252503	55252503	1	FREGIO ANT.MC 2010 FERRARI	
55252504	55252504	1	HALF BEARING	
56157399	56157399	1	HOLDER	
58056991	58056991	1	CABLE GLAND 90/200/30	
58057266	58057266	1	HOLDER	
590C0075	590C0075	1	COMPLETE BUMPERS	
56156241N	56156241N	1	TUNNEL	
59053021H	59053021H	1	BUMPER C.15LD-ACT-GX ALUM.	
59056127H	59056127H	1	BUMPER FOR 740	





Pos.	Id	Q.ty	Description	Note
1	31112154	1	SCREW TE M8X40 UNI 5739 8G	
2	31241084	1	SELFLOCK NUT M8 6S	
3	31112171	1	SCREW TE C/F M8X16 DIN 6921	
4	58057266	1	HOLDER	
5	56156241N	1	TUNNEL	
6	31121008	1	SCREW TBCEI M10X16 ISO 7380	
7	58056991	1	CABLE GLAND 90/200/30	
8	56157399	1	HOLDER	
9	31112085	1	SCREW TE M6X16 DIN 6921 8G	
10	59056127H	1	BUMPER FOR 740	For motors L100 - 15LD440 - 500
11	59053021H	1	BUMPER C.15LD-ACT-GX ALUM.	For the engine GX390
12	31100451	1	SCREW 3,5X25	Replaces 55252415
13	55252504	1	HALF BEARING	Replaces 55252415
14	31510100	1	RIBBED SCREW 6,3X19 UNI 6950	Replaces 55252415
15	55252503	1	FREGIO ANT.MC 2010 FERRARI	Replaces 55252415
16	55252406	1	GUARD BATTERY BOX	
17	55252413	1	GUARD	
18	31112210		SCREW TE M10X20 UNI 5739	
19	31112210	1	SCREW TE M10X20 UNI 5739	
20	31423105	1	SPRING WASHER 10,5	
21	590C0065H	1	COMPLETE BUMPER	

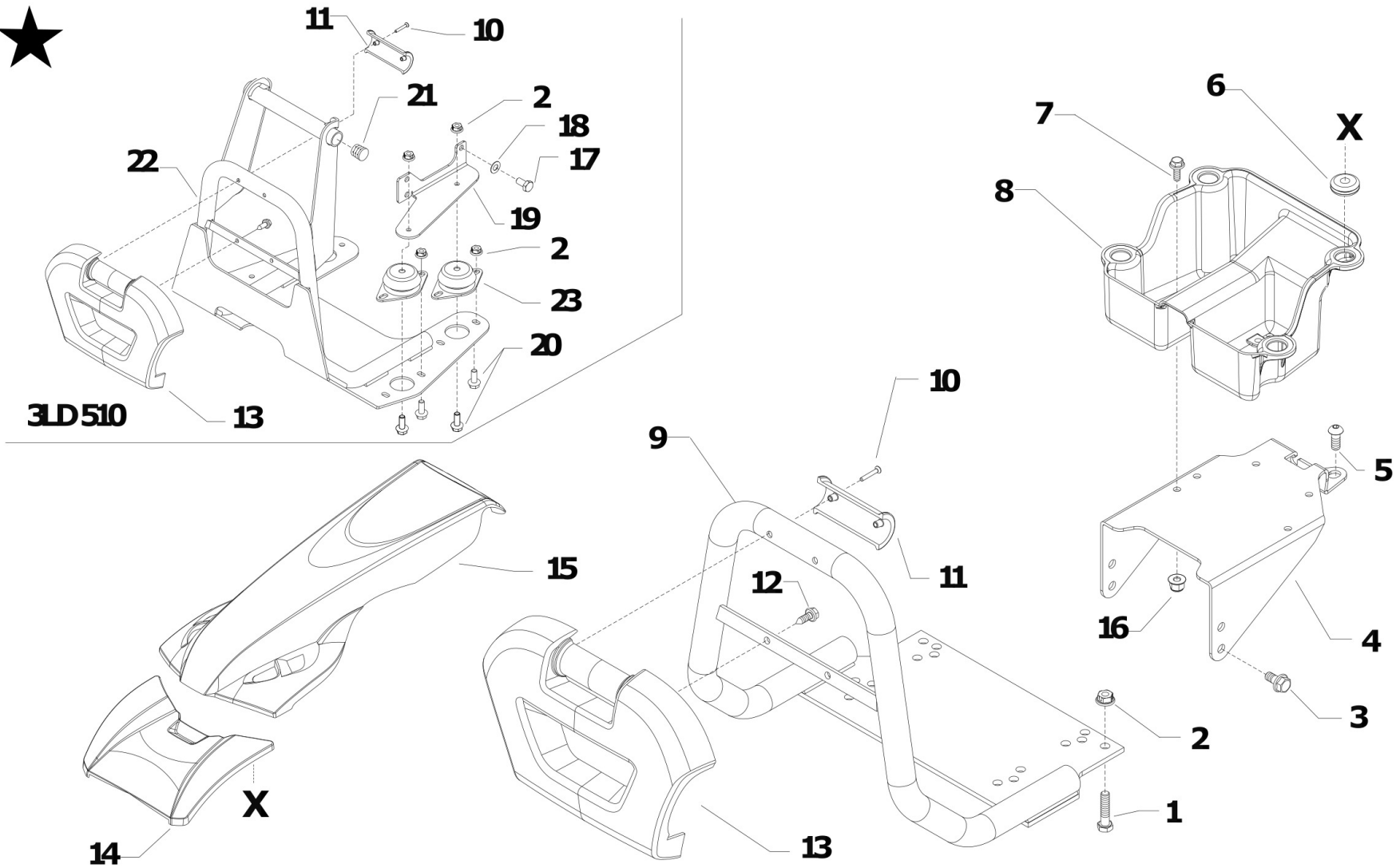




i = info - stop 2 sec. ★ = new part

Pos.	Id	Q.ty	Description	Note
1	31112154		SCREW TE M8X40 UNI 5739 8G	
2	31241084		SELFLOCK NUT M8 6S	
3	31112171		SCREW TE C/F M8X16 DIN 6921	
4	56156241N		TUNNEL	
5	31121008		SCREW TBCEI M10X16 ISO 7380	
6	58056991		CABLE GLAND 90/200/30	
7	31112081		SCREW TE C/F M6X20 DIN 6921 8G	
8	552C1001		FAIRINGS BOX	REPLACES 56157399
9	59053021H		BUMPER C.15LD-ACT-GX ALUM.	GX390
9	59056127H		BUMPER FOR 740	L100 - 15LD440 - 15LD500
10	31100451		SCREW 3,5X25	
11	55252504		HALF BEARING	
12	31510100		RIBBED SCREW 6,3X19 UNI 6950	
13	55252503		FREGIO ANT.MC 2010 FERRARI	
14	55252406		GUARD BATTERY BOX	
15	55252413		GUARD	
16	31241066		SELFLOCK M6 FL NY DIN 6926	
17	31112210		SCREW TE M10X20 UNI 5739	
18	31423105		SPRING WASHER 10,5	
19	590C0065H		COMPLETE BUMPER	

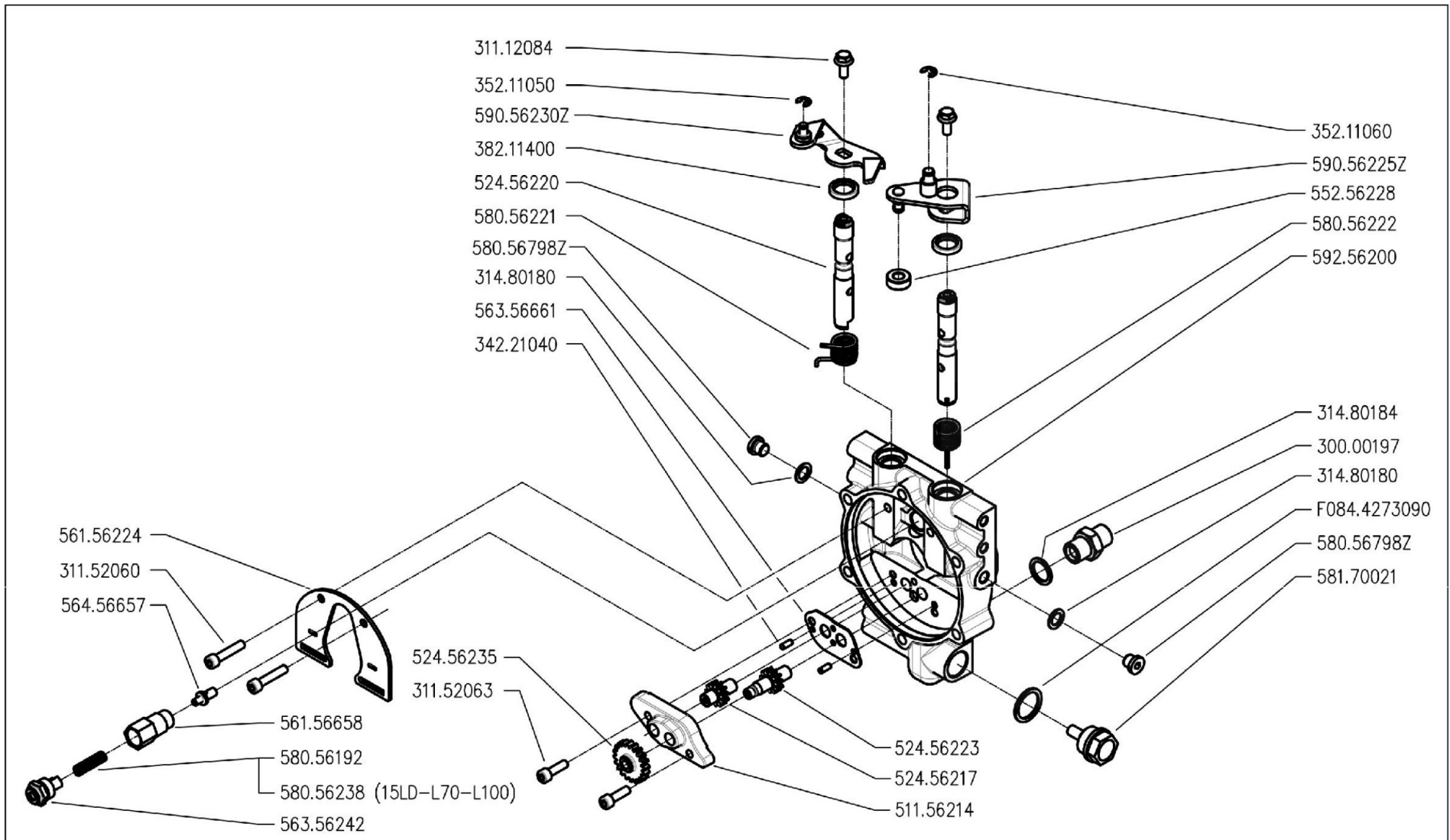




i = info - stop 2 sec. ★ = new part

Pos.	Id	Q.ty	Description	Note
1	31112154		SCREW TE M8X40 UNI 5739 8G	
2	31241084		SELFLOCK NUT M8 6S	
3	31112171		SCREW TE C/F M8X16 DIN 6921	
4	56156241N		TUNNEL	
5	31121008		SCREW TBCEI M10X16 ISO 7380	
6	58056991		CABLE GLAND 90/200/30	
7	31112081		SCREW TE C/F M6X20 DIN 6921 8G	
8	552C1001		FAIRINGS BOX	
9	59053021H		BUMPER C.15LD-ACT-GX ALUM.	
9	59056127H		BUMPER FOR 740	
10	31100451		SCREW 3,5X25	
11	55257522		HALF BEARING	
12	31510100		RIBBED SCREW 6,3X19 UNI 6950	
13	55257521		BCS FRONT PLASTIC DESCRIPTION MC 2010	
14	55252406		GUARD BATTERY BOX	
15	55252413		GUARD	
16	31241066		SELFLOCK M6 FL NY DIN 6926	
17	31112210		SCREW TE M10X20 UNI 5739	
18	31423105		SPRING WASHER 10,5	
19	561C0095H		RH 3LD BUMPER BRACKET	
19	561C0096H		LH 3LD BUMPER BRACKET	
20	31112170		SCREW TE C/F M8X20 DIN 6921	
21	55248241		PLUG D25	
22	590C0090H		ANTI-DUMPING C.TE BUMPER 3LD	REPLACES 590C0065H
23	58192769		VIBRATION-DAMPING	





300 serie PS
PowerSafe®

COMANDO FRIZIONE POWERSAFE

POWERSAFE CLUTCH CONTROL
CONTROL EMBRAGUE POWERSAFE

CONTRÔLE EMBRAYAGE POWERSAFE
REGELUND POWERSAFE KUPPLUNG

DALLA MACCHINA
DE LA MAQUINA
FROM THE MACHINE
AB DER MASCHINE

N.

	Rev.
B01 0	
05/2009	

DITE.FCS - Scala 1:6

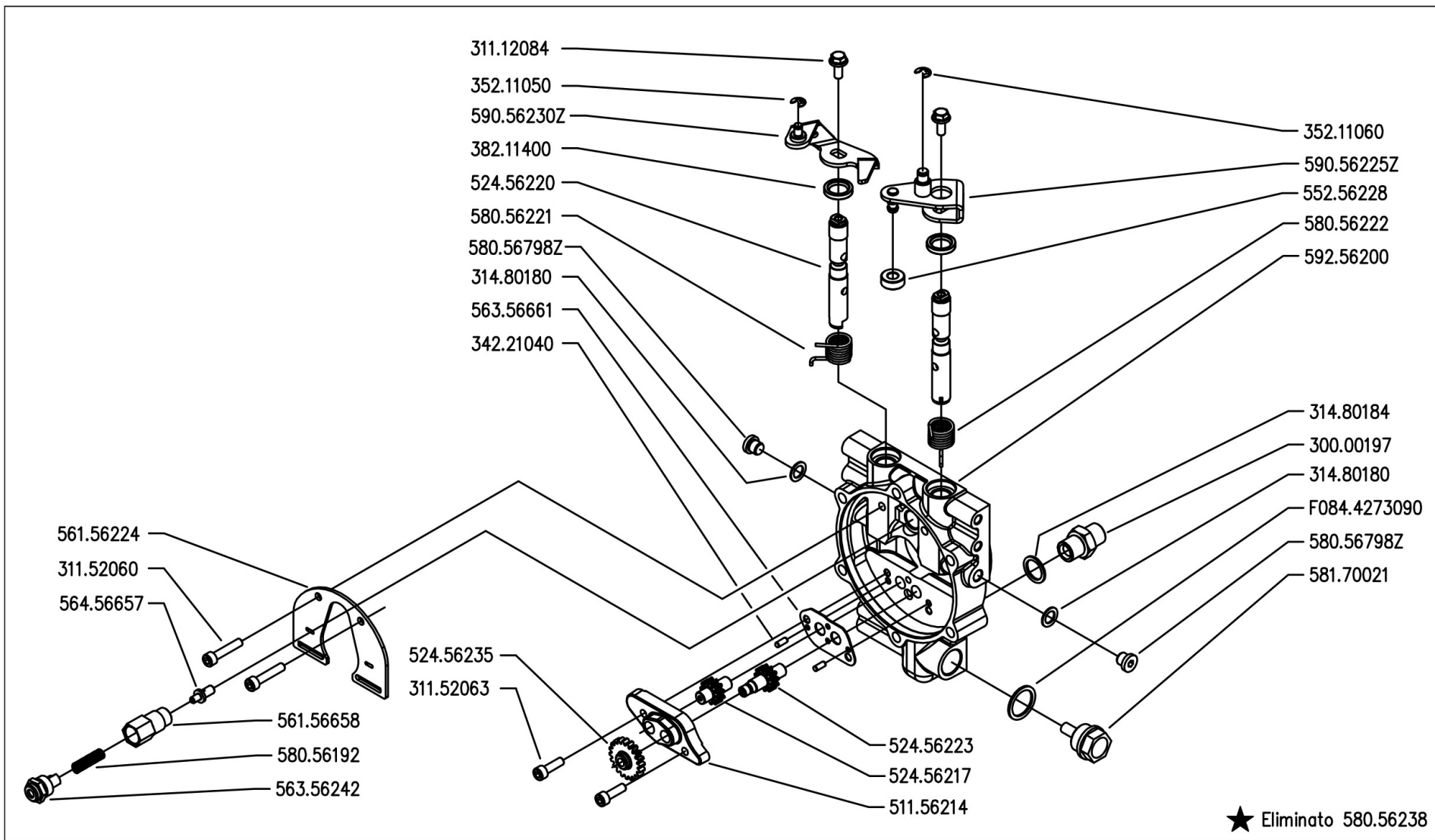


Pos.	Id	Q.ty	Description	Note
30000197	30000197	1	NIPPLE	
31112084	31112084	1	SCREW TE C/F M6X14 DIN 6921 8G	
31152060	31152060	1	SCREW TCEI M6X30 UNI 5931	
31152063	31152063	1	SCREW TCEI M6X20 UNI 5931	
31480180	31480180	1	COPPER WASHER 10,2x16/1	
31480184	31480184	1	COPPER WASHER 16,7x22/1,5	
34221040	34221040	1	CYLINDRICAL PLUG	
35211050	35211050	1	SEEGER RING E 5 UNI 7434	
35211060	35211060	1	SEEGER RING E 6 UNI 7434	
38211400	38211400	1	OIL SEAL 14X22X4	
51156214	51156214	1	COVER	
52456217	52456217	1	DRIVEN GEAR	
52456220	52456220	1	DISTRIBUTOR	
52456223	52456223	1	GEAR	
52456235	52456235	1	PUMP GEAR	
55256228	55256228	1	ROLLER	
56156224	56156224	1	SHIELD	
56156658	56156658	1	VALVE INSERT/INLET	
56356242	56356242	1	PLUG	
56356661	56356661	1	COUNTERWEIGHT	
56456657	56456657	1	VALVE	
58056192	58056192	1	SPRING	
58056221	58056221	1	SPRING	
58056222	58056222	1	SPRING	
58056238	58056238	1	SPRING	
58170021	58170021	1	PLUG	
59256200	59256200	1	CLUTCH FLANGE	
58056798Z	58056798Z	1	PLUG	
59056225Z	59056225Z	1	CLUTCH LEVER	



Pos.	Id	Q.ty	Description	Note
59056230Z	59056230Z	1	LEVER	
F0844273090	F0844273090	1	GASKET 22X28X1,5 CU 99,5	





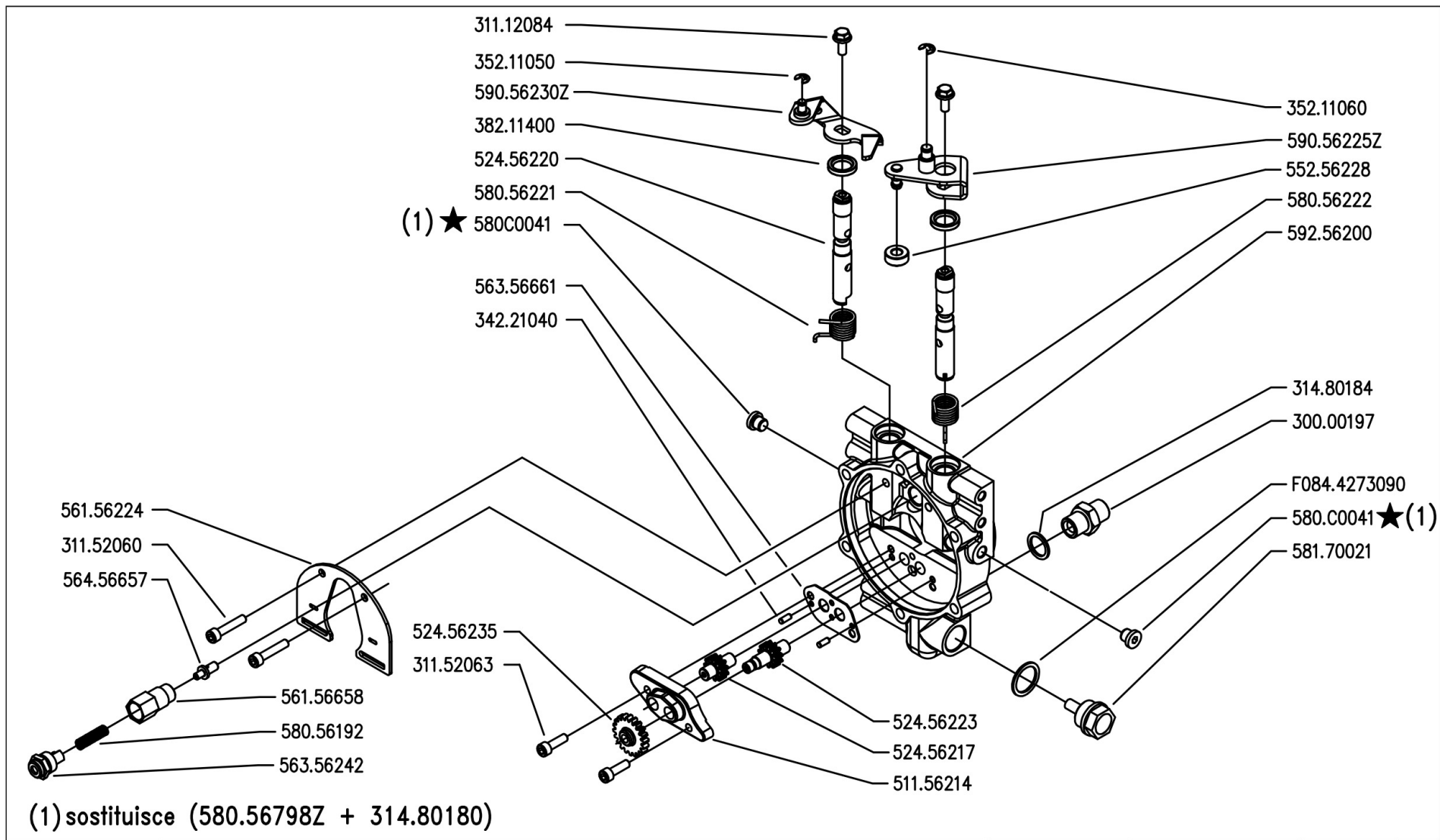
	300 serie PS PowerSafe®	COMANDO FRIZIONE POWERSAFE			DALLA MACCHINA DE LA MAQUINA FROM THE MACHINE AB DER MASCHINE	Rev. B01	1
		POWERSAFE CLUTCH CONTROL CONTROL EMBRAGUE POWERSAFE	CONTRÔLE EMBRAYAGE POWERSAFE REGELUND POWERSAFE KUPPLUNG	★ N.			

Pos.	Id	Q.ty	Description	Note
30000197	30000197	1	NIPPLE	
31112084	31112084	1	SCREW TE C/F M6X14 DIN 6921 8G	
31152060	31152060	1	SCREW TCEI M6X30 UNI 5931	
31152063	31152063	1	SCREW TCEI M6X20 UNI 5931	
31480180	31480180	1	COPPER WASHER 10,2x16/1	
31480184	31480184	1	COPPER WASHER 16,7x22/1,5	
34221040	34221040	1	CYLINDRICAL PLUG	
35211050	35211050	1	SEEGER RING E 5 UNI 7434	
35211060	35211060	1	SEEGER RING E 6 UNI 7434	
38211400	38211400	1	OIL SEAL 14X22X4	
51156214	51156214	1	COVER	
52456217	52456217	1	DRIVEN GEAR	
52456220	52456220	1	DISTRIBUTOR	
52456223	52456223	1	GEAR	
52456235	52456235	1	PUMP GEAR	
55256228	55256228	1	ROLLER	
56156224	56156224	1	SHIELD	
56156658	56156658	1	VALVE INSERT/INLET	
56356242	56356242	1	PLUG	
56356661	56356661	1	COUNTERWEIGHT	
56456657	56456657	1	VALVE	
58056192	58056192	1	SPRING	
58056221	58056221	1	SPRING	
58056222	58056222	1	SPRING	
58170021	58170021	1	PLUG	
59256200	59256200	1	CLUTCH FLANGE	
58056798Z	58056798Z	1	PLUG	
59056225Z	59056225Z	1	CLUTCH LEVER	
59056230Z	59056230Z	1	LEVER	



Pos.	Id	Q.ty	Description	Note
F0844273090	F0844273090	1	GASKET 22X28X1,5 CU 99,5	

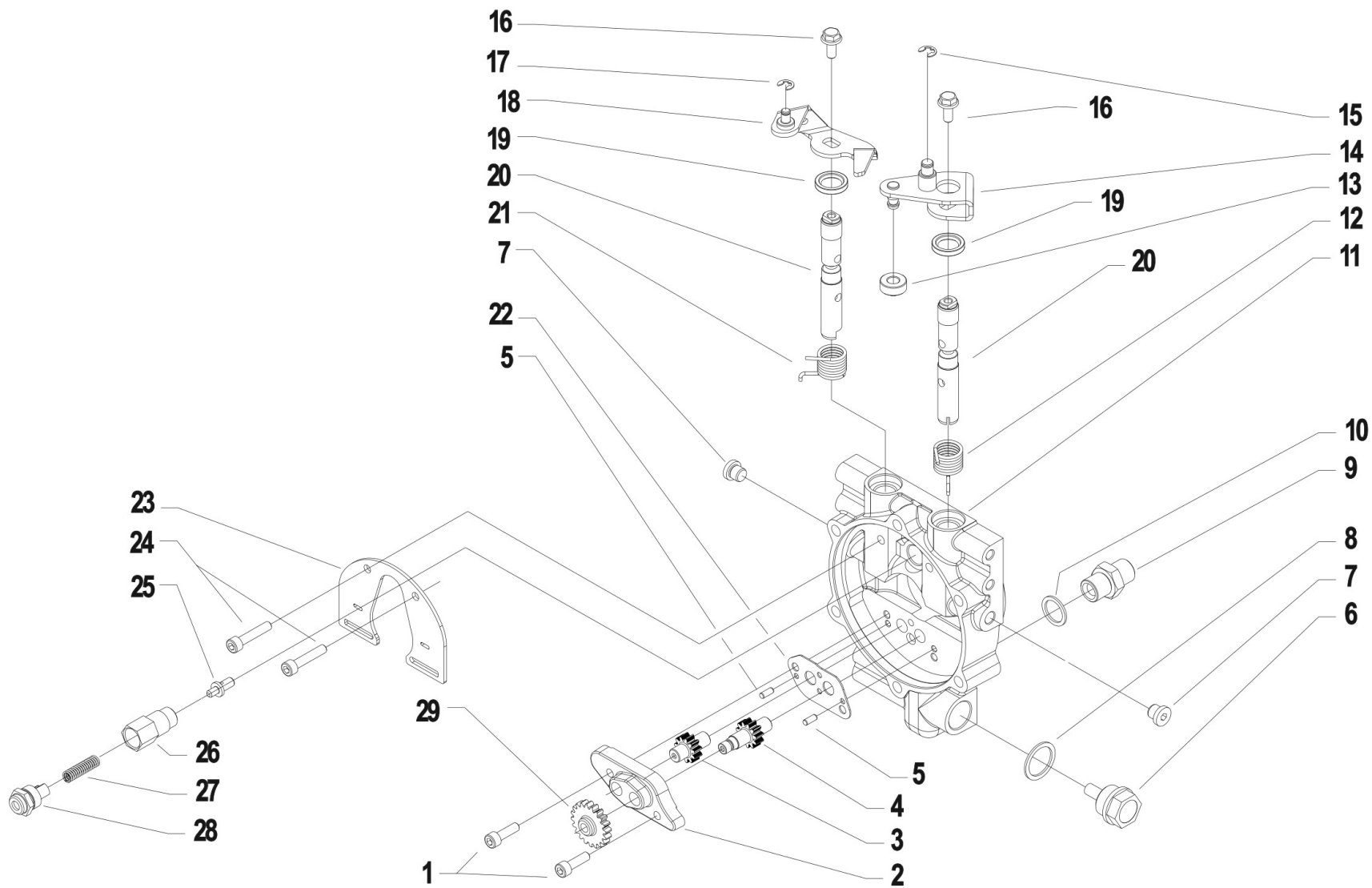




	300 serie PS PowerSafe®	COMANDO FRIZIONE POWERSAFE			DALLA MACCHINA DE LA MAQUINA DE LA MACHINA FROM THE MACHINE AB DER MASCHINE ★ N.	AGGIORNAMENTO	B01	Rev. 2
		POWERSAFE CLUTCH CONTROL	CONTRÔLE EMBRAYAGE POWERSAFE	APLAZAMIENTO				
		CONTROL EMBRAGUE POWERSAFE	REGELUND POWERSAFE KUPPLUNG	MISE A JOUR				
				REVISION				
				ANPASSUNG				
				09/2010				

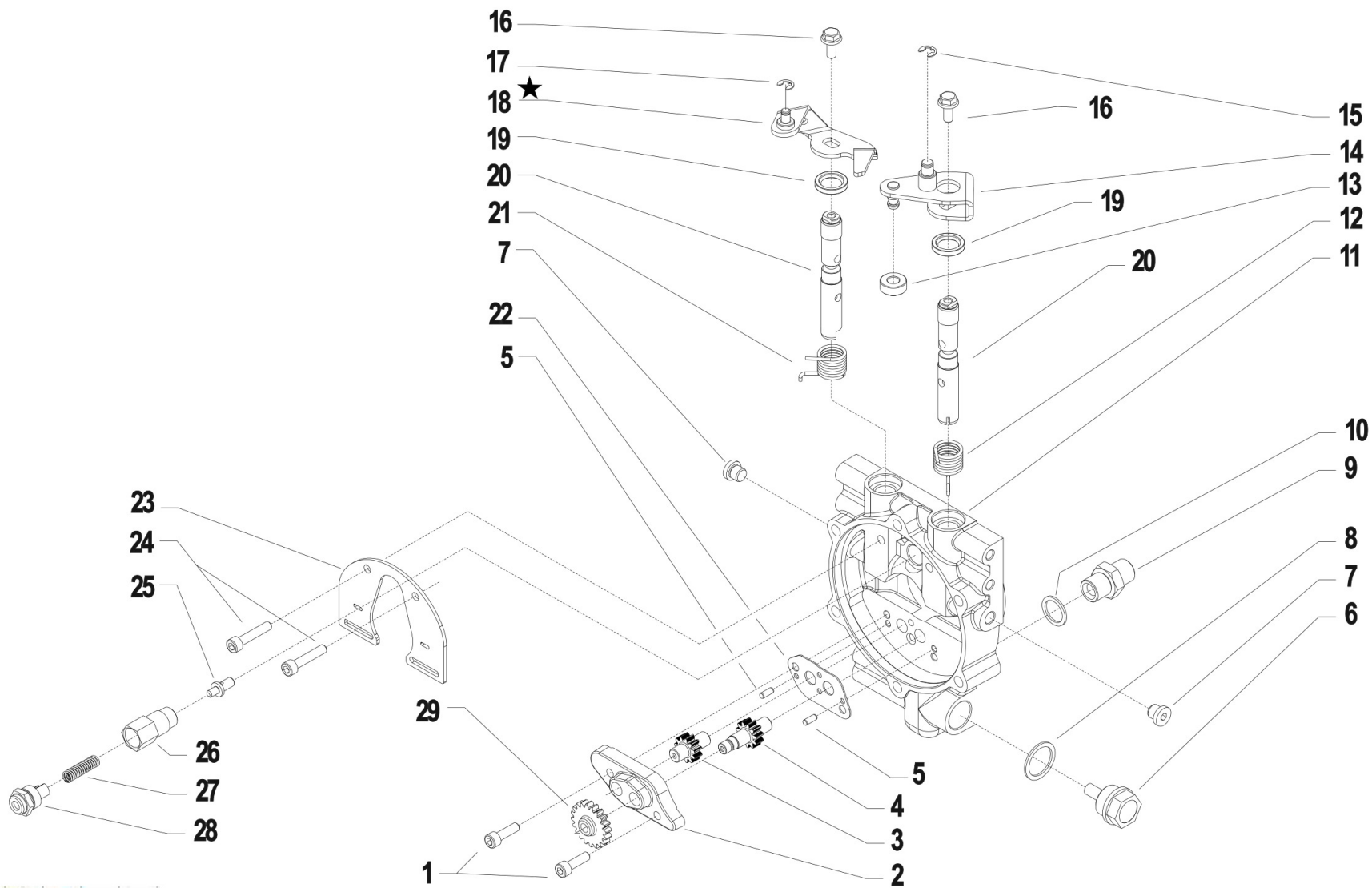
Pos.	Id	Q.ty	Description	Note
31112084	31112084	1	SCREW TE C/F M6X14 DIN 6921 8G	
31152060	31152060	1	SCREW TCEI M6X30 UNI 5931	
31152063	31152063	1	SCREW TCEI M6X20 UNI 5931	
31480184	31480184	1	COPPER WASHER 16,7x22/1,5	
34221040	34221040	1	CYLINDRICAL PLUG	
35211050	35211050	1	SEEGER RING E 5 UNI 7434	
35211060	35211060	1	SEEGER RING E 6 UNI 7434	
38211400	38211400	1	OIL SEAL 14X22X4	
51156214	51156214	1	COVER	
52456217	52456217	1	DRIVEN GEAR	
52456220	52456220	1	DISTRIBUTOR	
52456223	52456223	1	GEAR	
52456235	52456235	1	PUMP GEAR	
55256228	55256228	1	ROLLER	
56156224	56156224	1	SHIELD	
56156658	56156658	1	VALVE INSERT/INLET	
56356242	56356242	1	PLUG	
56356661	56356661	1	COUNTERWEIGHT	
56456657	56456657	1	VALVE	
58056192	58056192	1	SPRING	
58056221	58056221	1	SPRING	
58056222	58056222	1	SPRING	
580C0041	580C0041	1	PLUG	
58170021	58170021	1	PLUG	
59256200	59256200	1	CLUTCH FLANGE	
59056225Z	59056225Z	1	CLUTCH LEVER	
59056230Z	59056230Z	1	LEVER	
F0844273090	F0844273090	1	GASKET 22X28X1,5 CU 99,5	





Pos.	Id	Q.ty	Description	Note
1	31152063	1	SCREW TCEI M6X20 UNI 5931	
2	51156214	1	COVER	
3	52456217	1	DRIVEN GEAR	
4	52456223	1	GEAR	
5	34221040	1	CYLINDRICAL PLUG	
6	58170021	1	PLUG	
7	580C0041	1	PLUG	
8	F0844273090	1	GASKET 22X28X1,5 CU 99,5	
9	30000197	1	NIPPLE	
10	31480184	1	COPPER WASHER 16,7x22/1,5	
11	59256200	1	CLUTCH FLANGE	
12	58056222	1	SPRING	
13	55256228	1	ROLLER	
14	59056225Z	1	CLUTCH LEVER	
15	35211060	1	SEEGER RING E 6 UNI 7434	
16	31112084	1	SCREW TE C/F M6X14 DIN 6921 8G	
17	35211050	1	SEEGER RING E 5 UNI 7434	
18	59056298Z	1	LEVER	Replaces 59056230Z from serial 901289
19	38211400	1	OIL SEAL 14X22X4	
20	52456220	1	DISTRIBUTOR	
21	58056221	1	SPRING	
22	56356661	1	COUNTERWEIGHT	
23	56156224	1	SHIELD	
24	31152060	1	SCREW TCEI M6X30 UNI 5931	
25	56456657	1	VALVE	
26	56156658	1	VALVE INSERT/INLET	
27	58056683	1	SPRING	Replaces 58056192 from serial number 883609
28	56356242	1	PLUG	
29	52456235	1	PUMP GEAR	

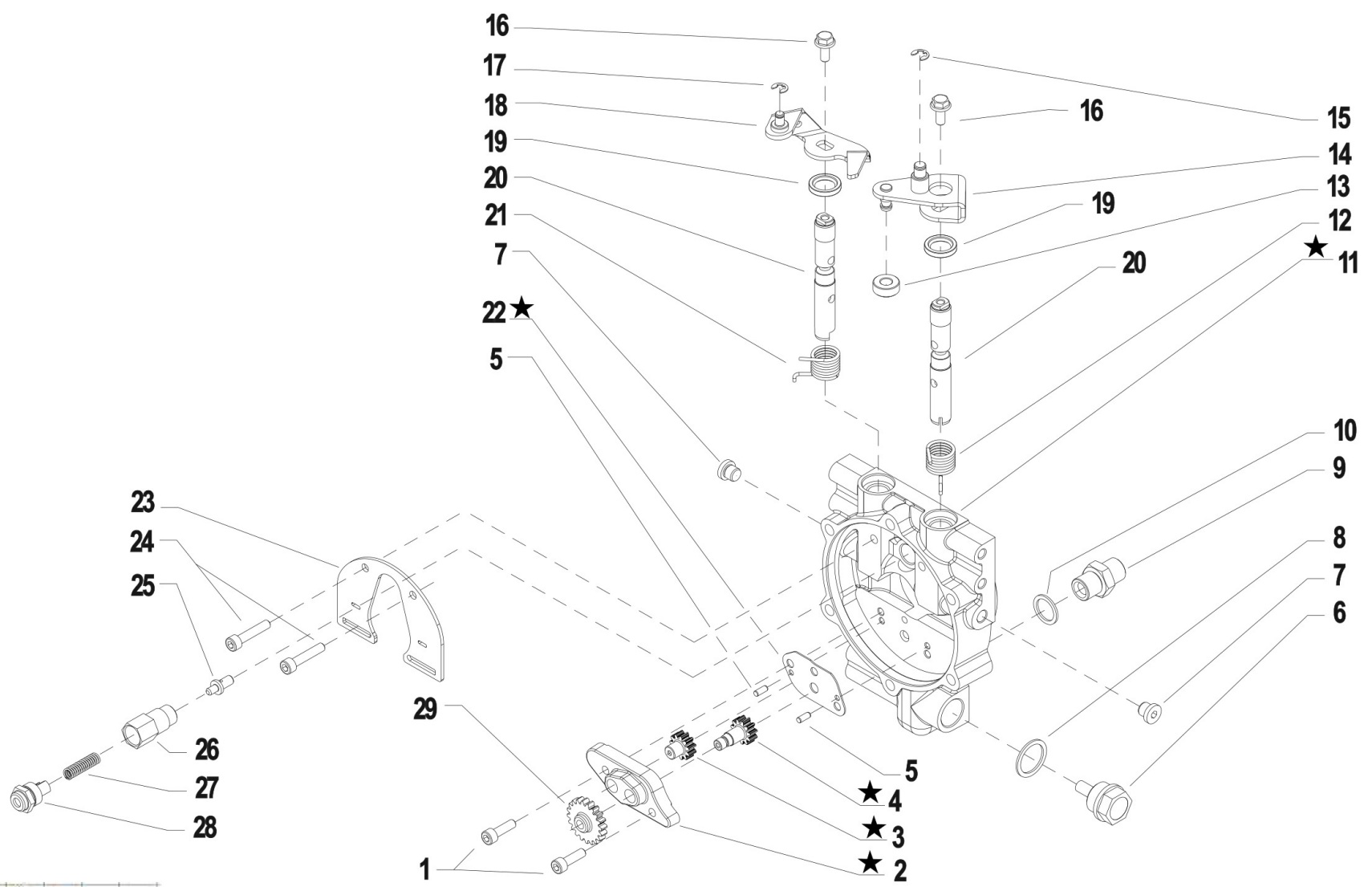




i = info - stop 2 sec. = new part

Pos.	Id	Q.ty	Description	Note
1	31152063		SCREW TCEI M6X20 UNI 5931	
2	51156214		COVER	
3	52456217		DRIVEN GEAR	
4	52456223		GEAR	
5	34221040		CYLINDRICAL PLUG	
6	58170021		PLUG	
7	580C0041		PLUG	
8	F0844273090		GASKET 22X28X1,5 CU 99,5	
9	30000197		NIPPLE	
10	31480184		COPPER WASHER 16,7x22/1,5	
11	59256200		CLUTCH FLANGE	
12	58056222		SPRING	
13	55256228		ROLLER	
14	59056225Z		CLUTCH LEVER	
15	35211060		SEEGER RING E 6 UNI 7434	
16	31112084		SCREW TE C/F M6X14 DIN 6921 8G	
17	35211050		SEEGER RING E 5 UNI 7434	
18	59056748Z		COMPLETE STOP LEVER PS GALV.	REPLACES 58056298Z
19	38211400		OIL SEAL 14X22X4	
20	52456220		DISTRIBUTOR	
21	58056221		SPRING	
22	56356661		COUNTERWEIGHT	
23	56156224		SHIELD	
24	31152060		SCREW TCEI M6X30 UNI 5931	
25	56456657		VALVE	
26	56156658		VALVE INSERT/INLET	
27	58056683		SPRING	Replaces 58056192 from serial number 883609
28	56356242		PLUG	
29	52456235		PUMP GEAR	



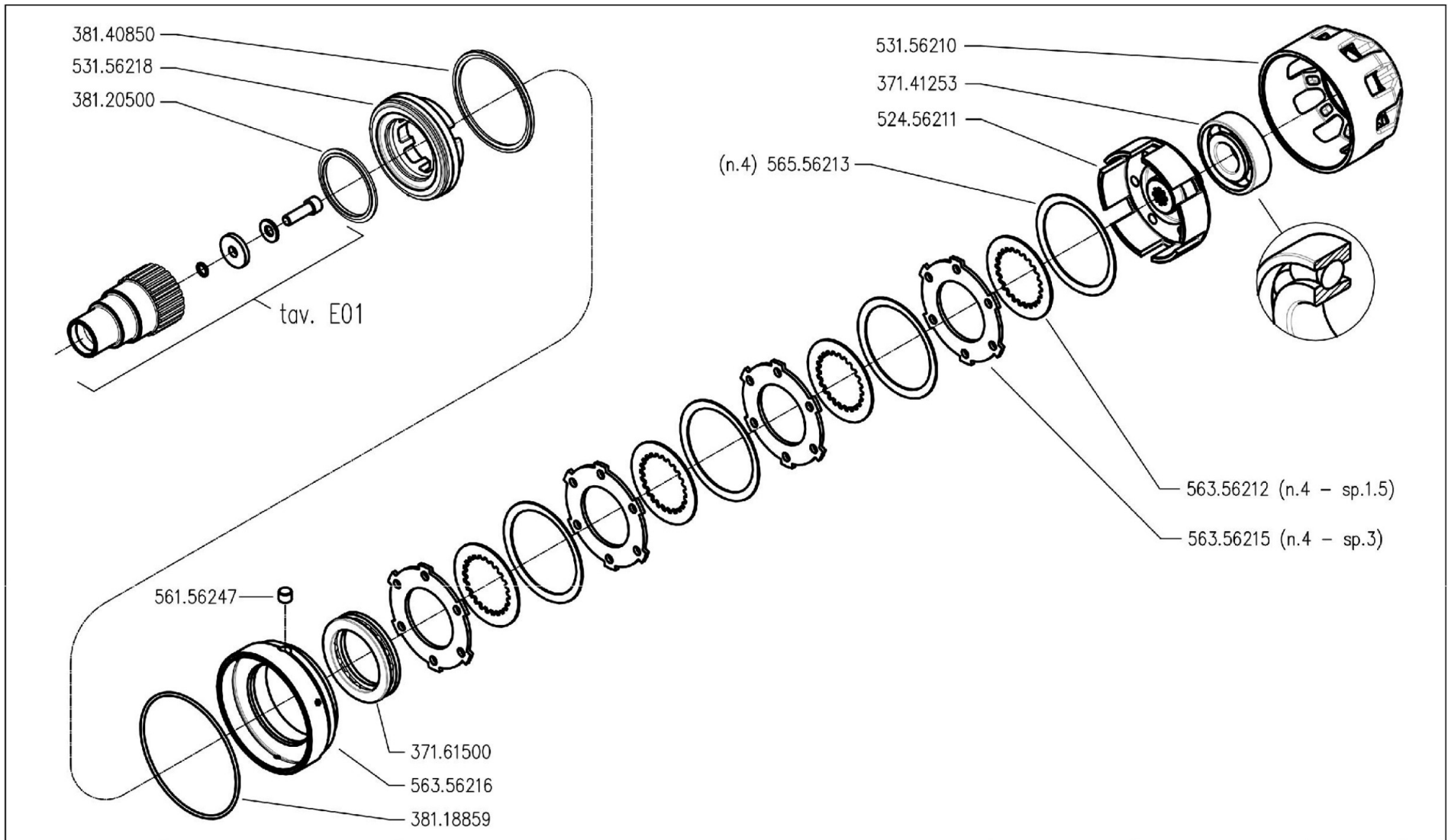


i = info - stop 2 sec. ★ = new part



Pos.	Id	Q.ty	Description	Note
1	31152063		SCREW TCEI M6X20 UNI 5931	
2	56356364		PUMP COVER PS/14	REPLACE 51156214 + 52456217 + 52456223 + 56356661 + 59256200
3	52456371		PUMP GEAR PS/14	REPLACE 51156214 + 52456217 + 52456223 + 56356661 + 59256200
4	52456372		PUMP GEAR	REPLACE 51156214 + 52456217 + 52456223 + 56356661 + 59256200
5	34221040		CYLINDRICAL PLUG	
6	58170021		PLUG	
7	580C0041		PLUG	
8	F0844273090		GASKET 22X28X1,5 CU 99,5	
9	30000197		NIPPLE	
10	31480184		COPPER WASHER 16,7x22/1,5	
11	59256745		POWERSAFE CLUTCH FLANGE	REPLACE 51156214 + 52456217 + 52456223 + 56356661 + 59256200
12	58056222		SPRING	
13	55256228		ROLLER	
14	59056225Z		CLUTCH LEVER	
15	35211060		SEEGER RING E 6 UNI 7434	
16	31112084		SCREW TE C/F M6X14 DIN 6921 8G	
17	35211050		SEEGER RING E 5 UNI 7434	
18	59056748Z		COMPLETE STOP LEVER PS GALV.	
19	38211400		OIL SEAL 14X22X4	
20	52456220		DISTRIBUTOR	
21	58056221		SPRING	
22	56356747		PUMP RECEPTOR PS/14	REPLACE 51156214 + 52456217 + 52456223 + 56356661 + 59256200
23	56156224		SHIELD	
24	31152060		SCREW TCEI M6X30 UNI 5931	
25	56456657		VALVE	
26	56156658		VALVE INSERT/INLET	
27	58056683		SPRING	Replaces 58056192 from serial number 883609
28	56356242		PLUG	
29	52456235		PUMP GEAR	



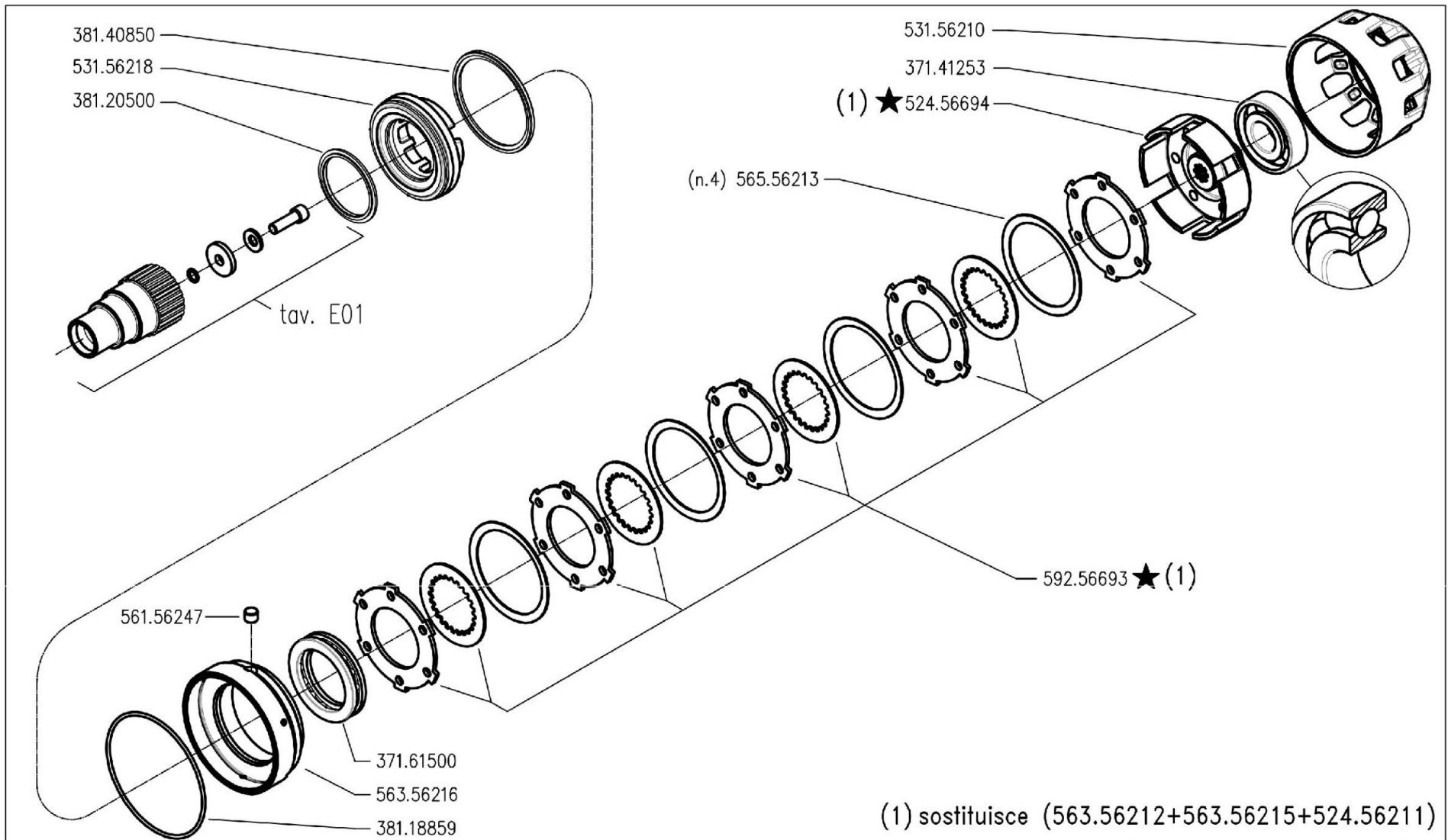


FERRARI	300 serie PS PowerSafe®	CILINDRO E FRIZIONE POWERSAFE	DALLA MACCHINA DE LA MAQUINA DE LA MACHINA FROM THE MACHINE AB DER MASCHINE	N.	C01	Rev. 0
		CYLINDER AND POWERSAFE CLUTCH CILINDRO Y EMBRAGUE POWERSAFE		CYLINDER ET EMBRAYAGE POWERSAFE ZILINDER UND POWERSAFE KUPPLUNG		05/2009

DITE.FCS - Scala 1:6

Pos.	Id	Q.ty	Description	Note
37141253	37141253	1	BEARING 7305-BJP OBL 25x62x17	
37161500	37161500	1	BEARING 51110 (50X70X14)	
38118859	38118859	1	O-RING OR 3375 (94,92X2,62)	
38120500	38120500	1	RING I/GR-L 0500-A POLYPAC	
38140850	38140850	1	RING E/GR-L 0850-A POLYPAC	
52456211	52456211	1	CLUTCH HOUSING	
53156210	53156210	1	SUMP	
53156218	53156218	1	PISTON	
56156247	56156247	1	PIN	
56356212	56356212	1	DISC	
56356215	56356215	1	DISC	
56356216	56356216	1	RING	
56556213	56556213	1	SPRING	



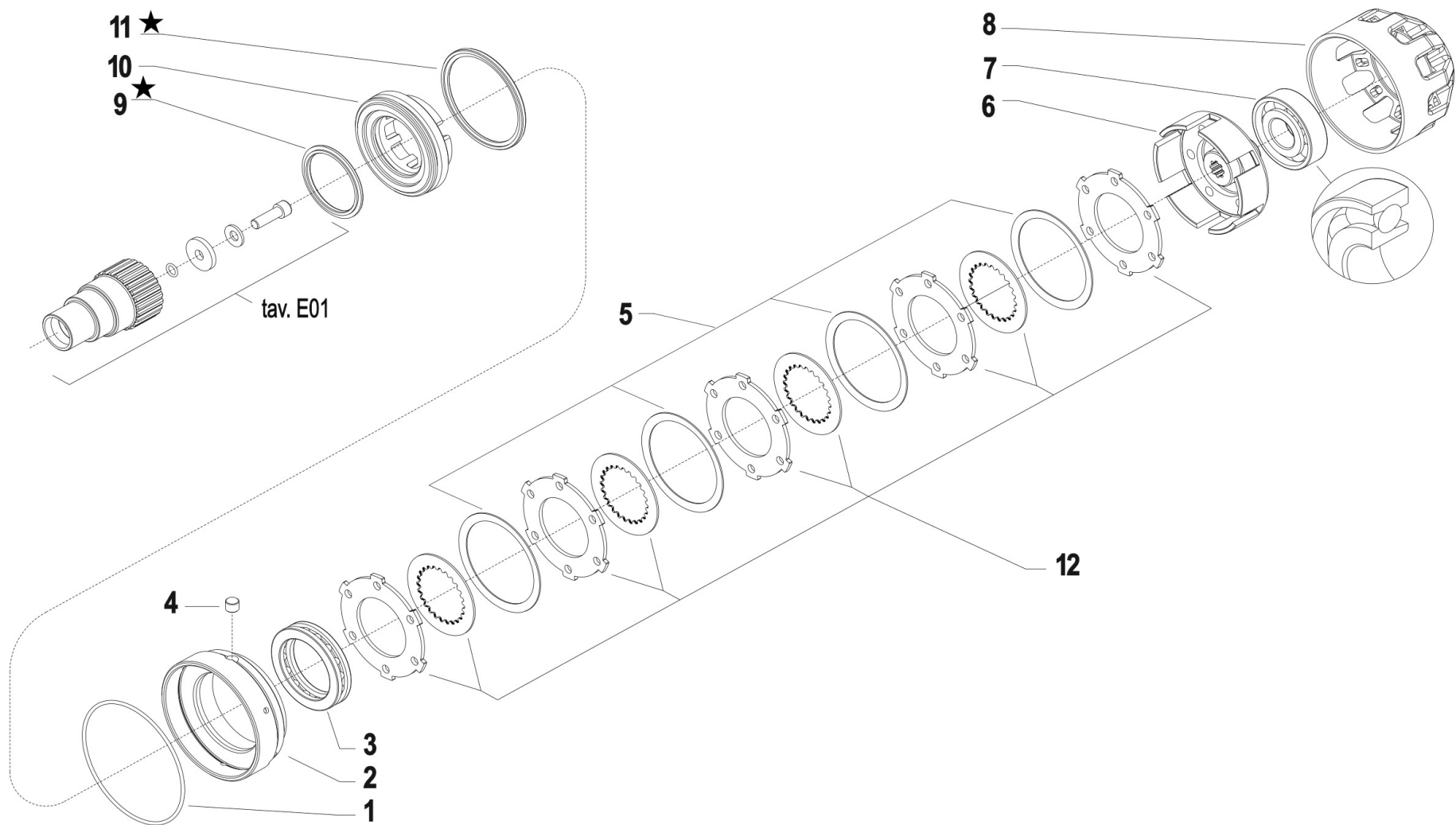


	300 serie PS PowerSafe®	CILINDRO E FRIZIONE POWERSAFE		<small>DALLA MACCHINA DE LA MAQUINA FROM THE MACHINE AB DER MASCHINE</small>	C01	Rev. 1
		<small>CYLINDER AND POWERSAFE CLUTCH</small> <small>CILINDRO Y EMBRAGUE POWERSAFE</small>	<small>CYLINDER ET EMBRAYAGE POWERSAFE</small> <small>ZILINDER UND POWERSAFE KUPPLUNG</small>		★ N.	852604

DITE.BCS - Scala 1:6

Pos.	Id	Q.ty	Description	Note
37141253	37141253	1	BEARING 7305-BJP OBL 25x62x17	
37161500	37161500	1	BEARING 51110 (50X70X14)	
38118859	38118859	1	O-RING OR 3375 (94,92X2,62)	
38120500	38120500	1	RING I/GR-L 0500-A POLYPAC	
38140850	38140850	1	RING E/GR-L 0850-A POLYPAC	
52456694	52456694	1	CLUTCH HOUSING	
53156210	53156210	1	SUMP	
53156218	53156218	1	PISTON	
56156247	56156247	1	PIN	
56356216	56356216	1	RING	
56556213	56556213	1	SPRING	
59256693	59256693	1	9 DISC CLUTCH	

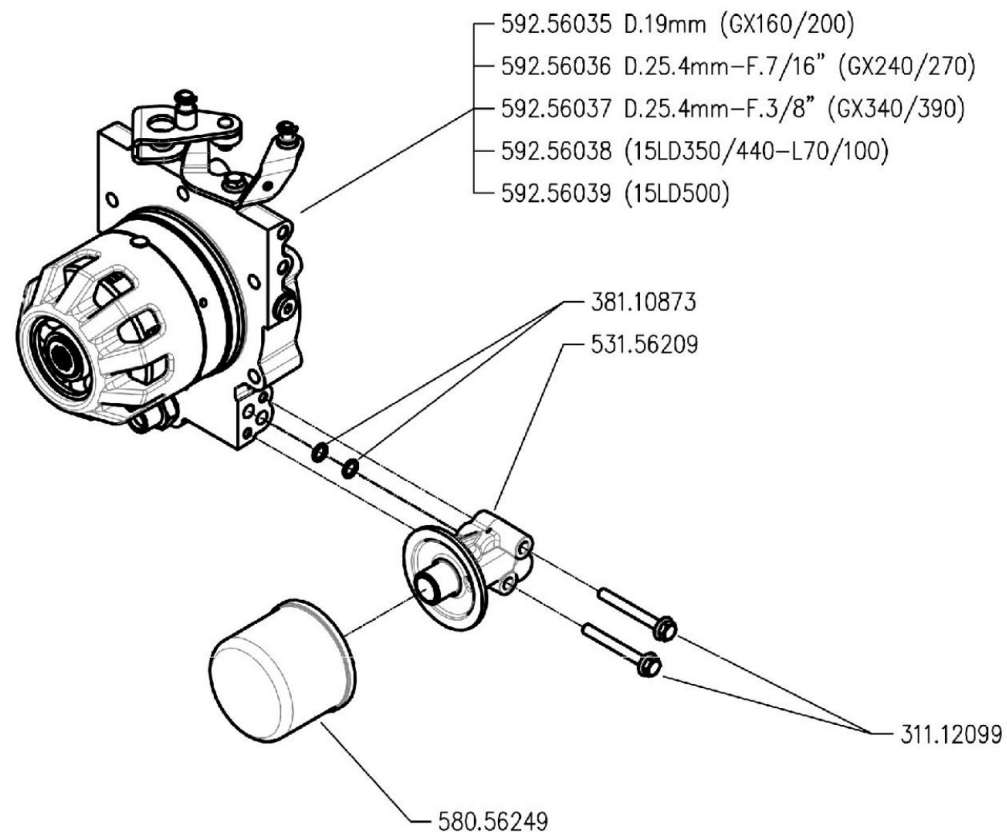




i = info - stop 2 sec. ★ = new part

Pos.	Id	Q.ty	Description	Note
1	38118859		O-RING OR 3375 (94,92X2,62)	
2	56356216		RING	
3	37161500		BEARING 51110 (50X70X14)	
4	56156247		PIN	
5	56556213		SPRING	n. 4
6	52456694		CLUTCH HOUSING	Replaces 56356212 + 56356215 + 52456211
7	37141253		BEARING 7305-BJP OBL 25x62x17	
8	53156210		SUMP	
9	38120501		RING PTFE PRP 01A02-0500-A-32	REPLACE 38120500 + 38140850
10	53156218		PISTON	
11	38140851		RING PTFE PRP02A02-0850-A-32-N	REPLACE 38120500 + 38140850
12	59256693		9 DISC CLUTCH	Replaces 56356212 + 56356215 + 52456211





300 serie PS
 PowerSafe®

GRUPPO FILTRO POWERSAFE

POWERSAFE FILTER UNIT
 FILTRO POWERSAFE

FILTRE POWERSAFE
 POWERSAFE FILTER

DALLA MACCHINA
 DE LA MAQUINA
 FROM THE MACHINE
 AB DER MASCHINE

N.

D01

Rev.

0

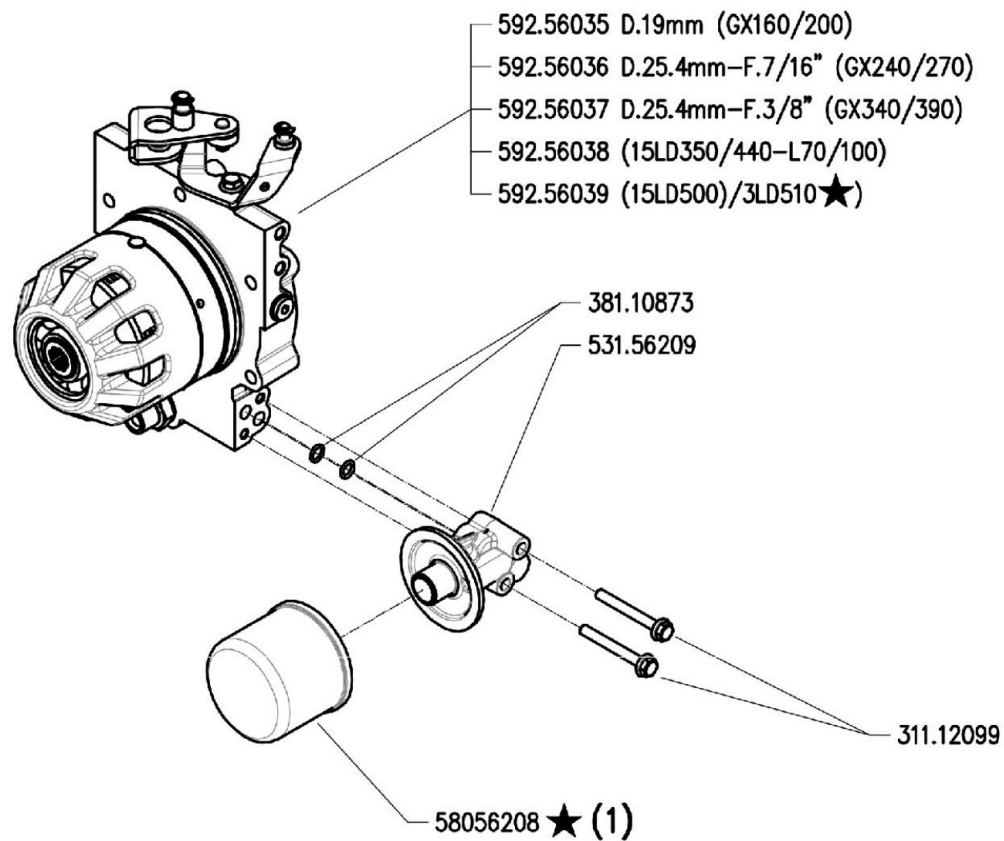
05/2009

DITE.FCS - Scala 1:6




Pos.	Id	Q.ty	Description	Note
31112099	31112099	1	SCREW TE C/F M6X50 DIN 6921 8G	
38110873	38110873	1	O-RING 108 (8,73X1,78)	
53156209	53156209	1	CONNECTION	
58056249	58056249	1	FILTER	
59256035	59256035	1	POWERSAFE CLUTCH ASSY Q19	
59256036	59256036	1	POWERSAFE CLUTCH	
59256037	59256037	1	CLUTCH FOR POWERSAFE Q25.4 (3/8)	
59256038	59256038	1	POWERSAFE CLUTCH	
59256039	59256039	1	POWERSAFE CLUTCH ASSY	



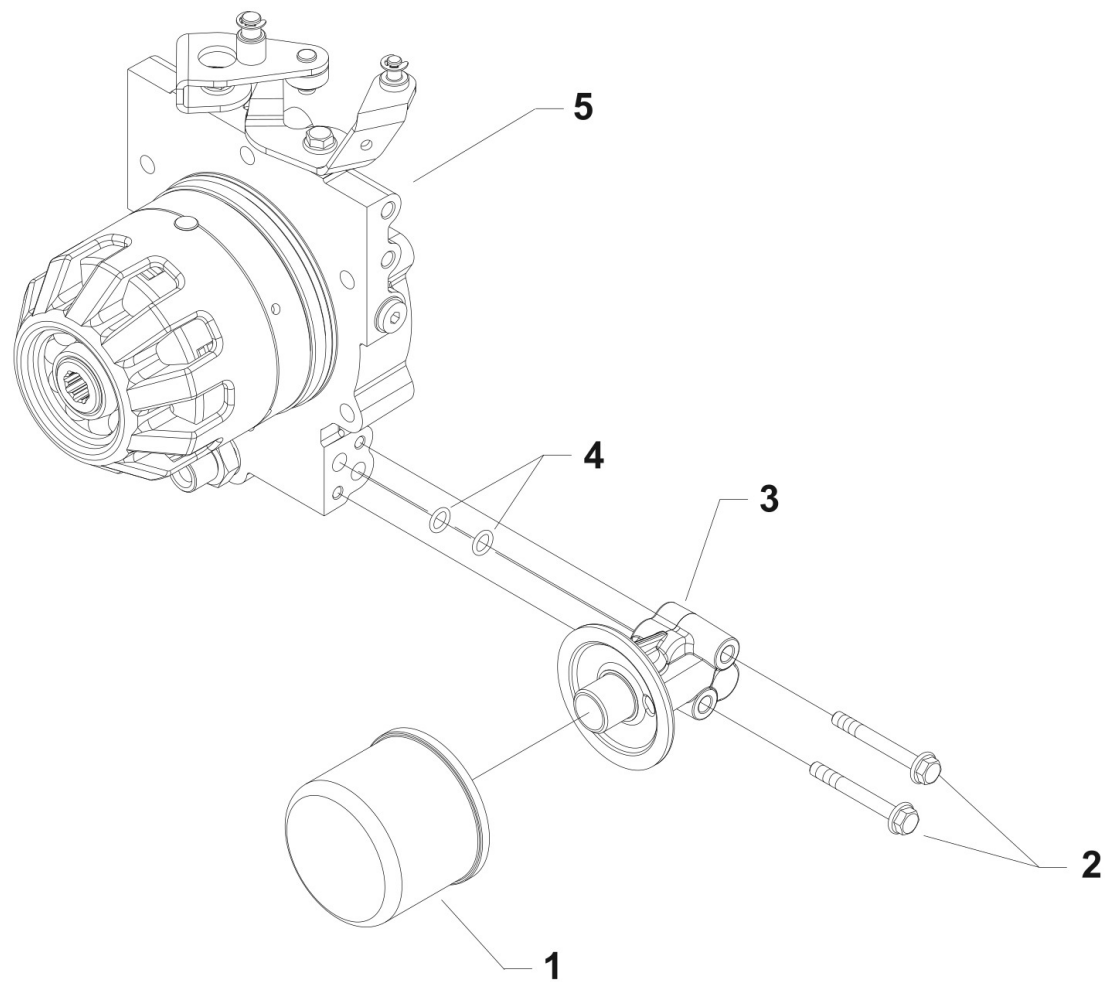


(1) sostituisce 580.56249

	<h1>300 serie PS</h1> <h2>PowerSafe®</h2>	GRUPPO E FILTRO POWERSAFE		DALLA MACCHINA DE LA MAQUINA FROM THE MACHINE AB DER MASCHINE ★ N.	AGGIORNAMENTO	<div style="font-size: 2em; font-weight: bold;">D01</div> <div style="font-size: 0.8em;">Rev. 1</div>
		POWERSAFE FILTER AND UNIT	FILTRE POWERSAFE		APLAZAMIENTO	
		FILTRO POWERSAFE	POWERSAFE FILTER		MISE A JOUR	
					REVISION	
					ANPASSUNG	
			11/2010	DATE: BCS - Scala 1:6		

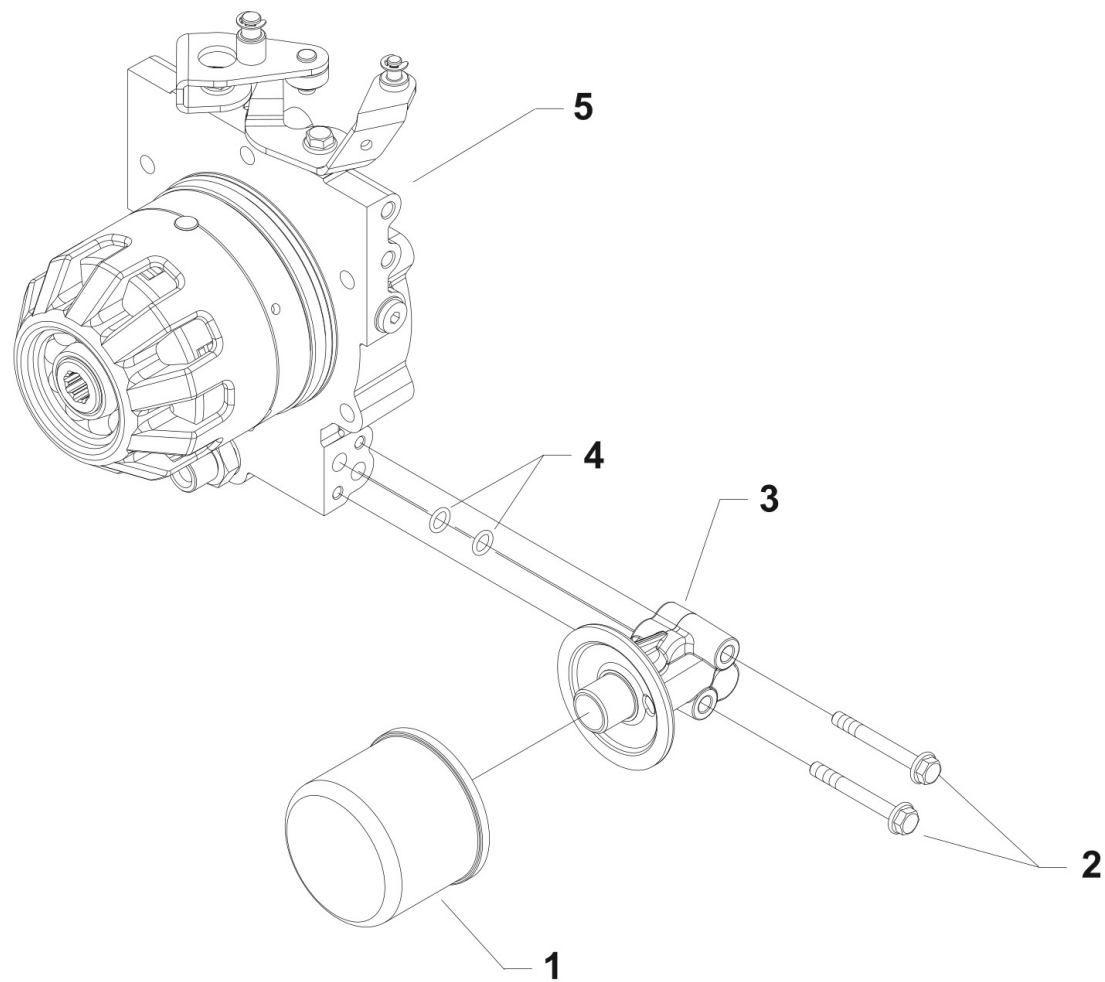
Pos.	Id	Q.ty	Description	Note
31112099	31112099	1	SCREW TE C/F M6X50 DIN 6921 8G	
38110873	38110873	1	O-RING 108 (8,73X1,78)	
53156209	53156209	1	CONNECTION	
58056208	58056208	1	HYDRAULIC OIL FILTER	
59256035	59256035	1	POWERSAFE CLUTCH ASSY Q19	
59256036	59256036	1	POWERSAFE CLUTCH	
59256037	59256037	1	CLUTCH FOR POWERSAFE Q25.4 (3/8)	
59256038	59256038	1	POWERSAFE CLUTCH	
59256039	59256039	1	POWERSAFE CLUTCH ASSY	





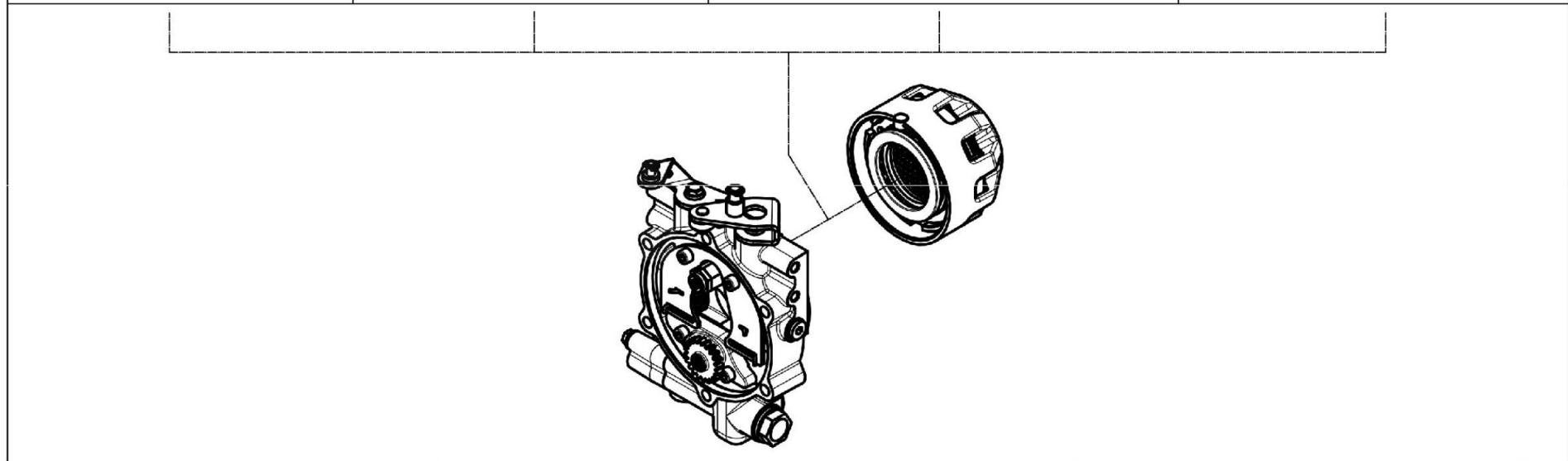
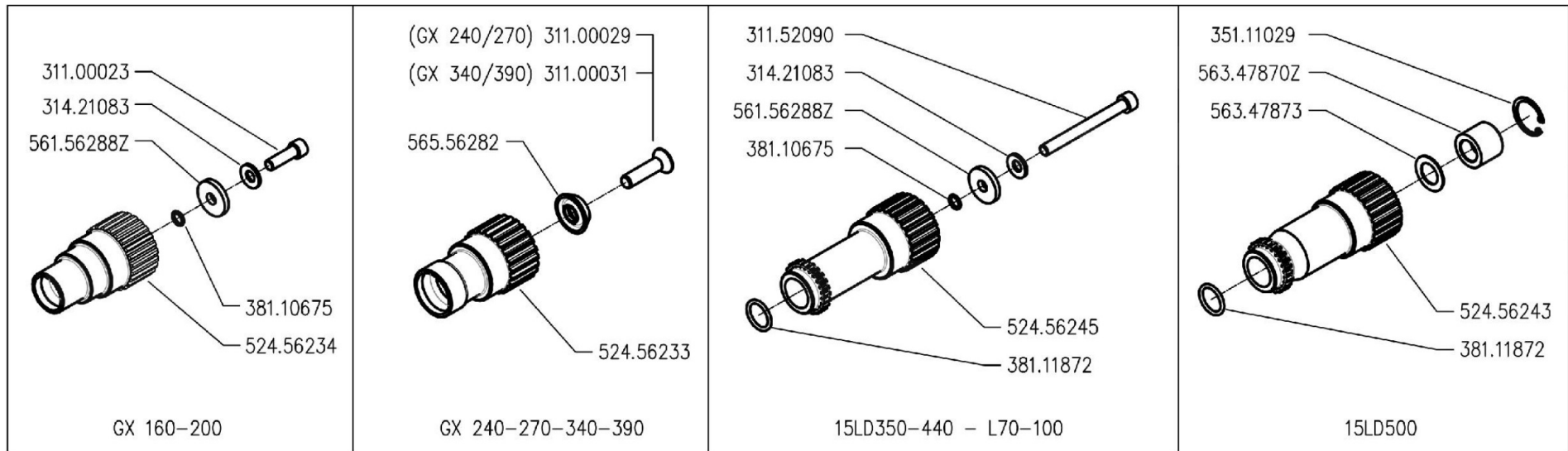
Pos.	Id	Q.ty	Description	Note
1	58056208	1	HYDRAULIC OIL FILTER	
2	31112099	1	SCREW TE C/F M6X50 DIN 6921 8G	
3	53156209	1	CONNECTION	
3	53156659	1	CONNECTION	Powersafe EasyDrive
4	38110873	1	O-RING 108 (8,73X1,78)	
5	59256035	1	POWERSAFE CLUTCH ASSY Q19	For motors GX160/200
5	59256036	1	POWERSAFE CLUTCH	For motors GX240/270-EX21
5	59256037	1	CLUTCH FOR POWERSAFE Q25.4 (3/8)	For motors GX340/390
5	59256038	1	POWERSAFE CLUTCH	For motors 15LD350/440-L70/100
5	59256039	1	POWERSAFE CLUTCH ASSY	For motors 15LD500/3LD510





Pos.	Id	Q.ty	Description	Note
1	58056208		HYDRAULIC OIL FILTER	
2	31112099		SCREW TE C/F M6X50 DIN 6921 8G	
3	53156209		CONNECTION	
3	53156659		CONNECTION	730 ED
4	38110873		O-RING 108 (8,73X1,78)	
5	59256035		POWERSAFE CLUTCH ASSY Q19	GX 160/GX200 - EX21 - GP160
5	59256036		POWERSAFE CLUTCH	GX 240/GX 270 - B&S 1450/B&S 2100
5	59256037		CLUTCH FOR POWERSAFE Q25.4 (3/8)	GX 340/GX390 - EX35
5	59256038		POWERSAFE CLUTCH	15LD350/440 - L70 / L100 - KD350 / KD440
5	59256039		POWERSAFE CLUTCH ASSY	15LD500/3LD510



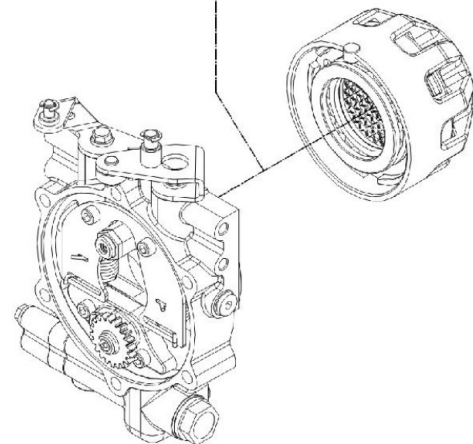
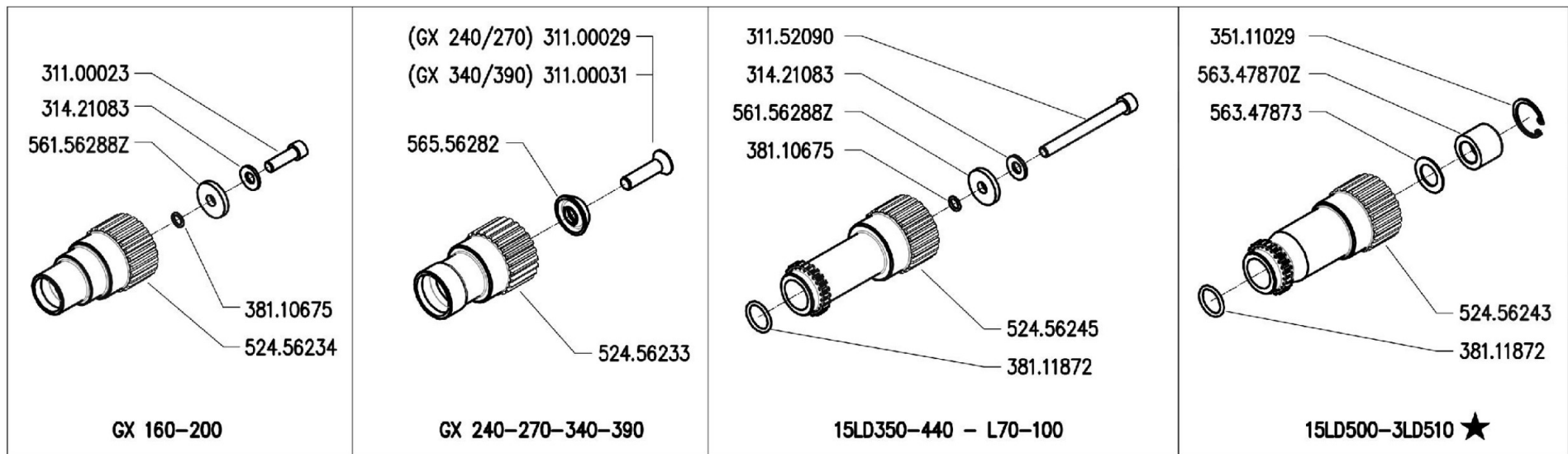


	<p>300 serie PS PowerSafe®</p>	<p>MOZZI FRIZIONE POWERSAFE POWERSAFE CLUTCH HUBS CUBOS EMBRAGUE POWERSAFE</p> <p>MOYEURS EMBRAYAGE POWERSAFE NABEN POWERSAFE KUPPLUNG</p>	<p>DALLA MACCHINA DE LA MAQUINA DE LA MAQUINA FROM THE MACHINE AB DER MASCHINE</p>	<p>N.</p>	<p>E01</p>	<p>Rev. 0 05/2009</p>
---	------------------------------------	--	--	-----------	------------	---------------------------

DITE.FCS - Scala 1:6

Pos.	Id	Q.ty	Description	Note
31100023	31100023	1	SCREW 5/16-24 X 1 UNF 8G	
31100029	31100029	1	SCREW TSVEI 7/16-20X1 1/2 UNF8G	
31100031	31100031	1	SCREW TSVEI 3/8-24X1 1/2 UNF 8G	
31152090	31152090	1	SCREW TCEI M8x80 UNI5931	
31421083	31421083	1	WASHER	
35111029	35111029	1	SEEGER RING I 28 UNI 7437	
38110675	38110675	1	O-RING 106 (6,75X1,78)	
38111872	38111872	1	O-RING 3075 (18,72x2,62)	
52456233	52456233	1	HUB Q25	
52456234	52456234	1	HUB Q19	
52456243	52456243	1	HUB	
52456245	52456245	1	HUB	
56347873	56347873	1	WASHER	
56556282	56556282	1	WASHER D.25,4	
56156288Z	56156288Z	1	SPECIAL WASHER SP.4	
56347870Z	56347870Z	1	SPECIAL NUT	

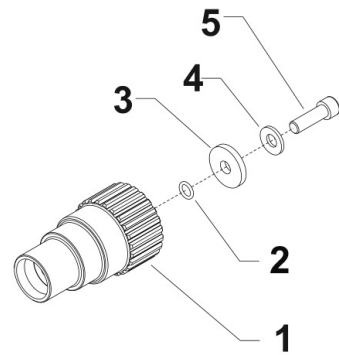




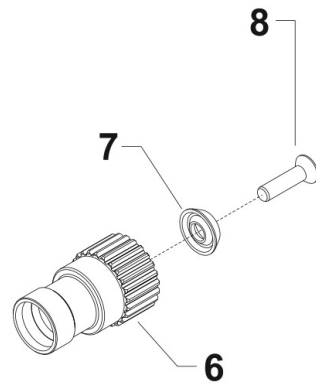
	300 serie PS PowerSafe®	MOZZI FRIZIONE POWERSAFE		DALLA MACCHINA DE LA MAQUINA DE LA MAQUINA FROM THE MACHINE AB DER MASCHINE ★ N.	AGGIORNAMENTO	<div style="font-size: 2em; font-weight: bold;">E01</div> <div style="font-size: 0.8em; font-weight: normal;">11/2010</div>	Rev.
		POWERSAFE CLUTCH HUBS	MOYEURS EMBRAYAGE POWERSAFE		APLAZAMIENTO		1
		CUBOS EMBRAGUE POWERSAFE	NABEN POWERSAFE KUPPLUNG		MISE A JOUR		
					REVISION		
					ANPASSUNG		

Pos.	Id	Q.ty	Description	Note
31100023	31100023	1	SCREW 5/16-24 X 1 UNF 8G	
31100029	31100029	1	SCREW TSVEI 7/16-20X1 1/2 UNF8G	
31100031	31100031	1	SCREW TSVEI 3/8-24X1 1/2 UNF 8G	
31152090	31152090	1	SCREW TCEI M8x80 UNI5931	
31421083	31421083	1	WASHER	
35111029	35111029	1	SEEGER RING I 28 UNI 7437	
38110675	38110675	1	O-RING 106 (6,75X1,78)	
38111872	38111872	1	O-RING 3075 (18,72x2,62)	
52456233	52456233	1	HUB Q25	
52456234	52456234	1	HUB Q19	
52456243	52456243	1	HUB	
52456245	52456245	1	HUB	
56347873	56347873	1	WASHER	
56556282	56556282	1	WASHER D.25,4	
56156288Z	56156288Z	1	SPECIAL WASHER SP.4	
56347870Z	56347870Z	1	SPECIAL NUT	

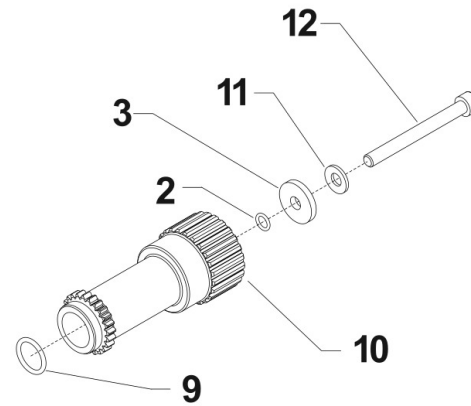




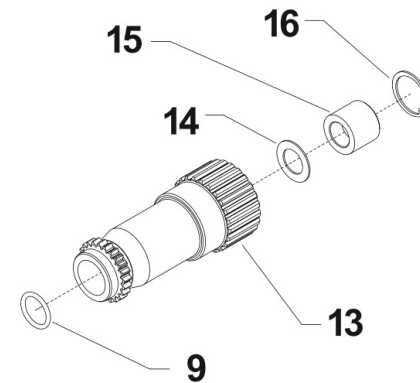
Gx160 - 200
Ex21★ - Gp160★



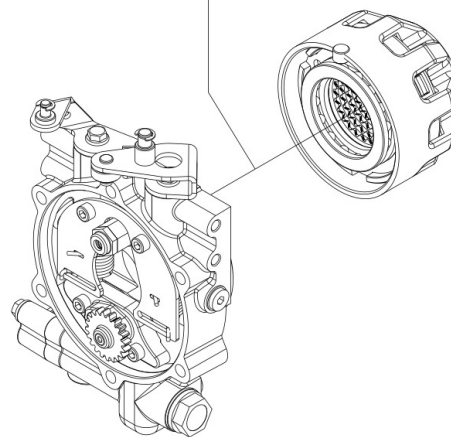
Gx240 - 270 - 340 - 390
B&S 1450 - B&S 2100★



15LD350 - 440 - L70 - L100
Kd350★ - Kd440★



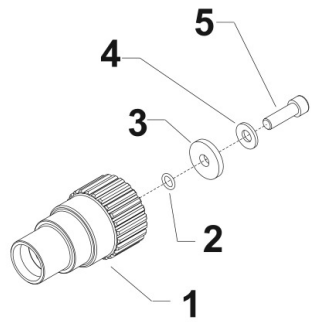
15LD500 - 3LD510



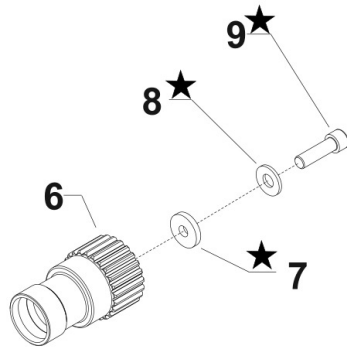
i = info - stop 2 sec. ★ = new part

Pos.	Id	Q.ty	Description	Note
1	52456234		HUB Q19	
2	38110675		O-RING 106 (6,75X1,78)	
3	56156288Z		SPECIAL WASHER SP.4	
4	31421083		WASHER	
5	31100023		SCREW 5/16-24 X 1 UNF 8G	
6	52456233		HUB Q25	
7	56556282		WASHER D.25,4	
8	31100029		SCREW TSVEI 7/16-20X1 1/2 UNF8G	GX 240 /270
8	31100031		SCREW TSVEI 3/8-24X1 1/2 UNF 8G	GX 340 /390
9	38111872		O-RING 3075 (18,72x2,62)	
10	52456245		HUB	
11	31421083		WASHER	
12	31152090		SCREW TCEI M8x80 UNI5931	
13	52456243		HUB	
14	56347873		WASHER	
15	56347870Z		SPECIAL NUT	
16	35111029		SEEGER RING I 28 UNI 7437	

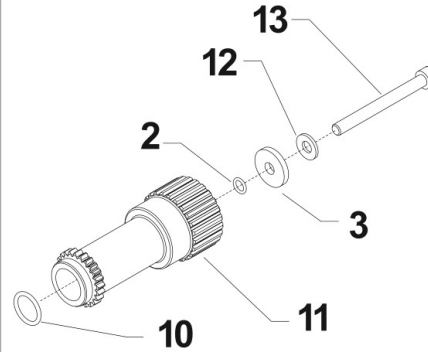




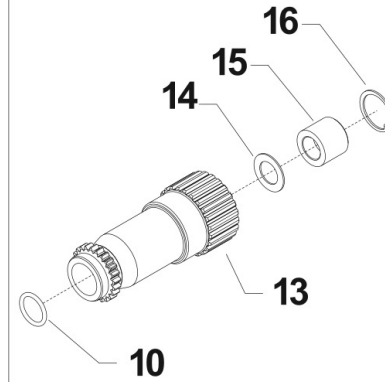
GX 160-200
EX21-GP160



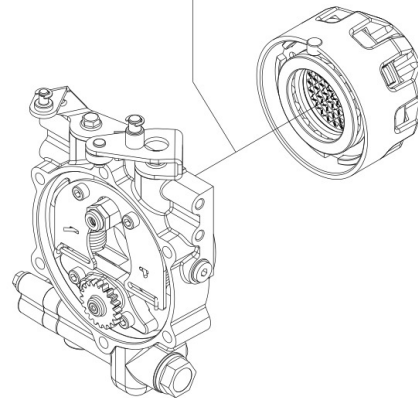
GX 240-270-340-390
B&S 1450-B&S2100



15LD350-440-L70-L100
KD350-KD400



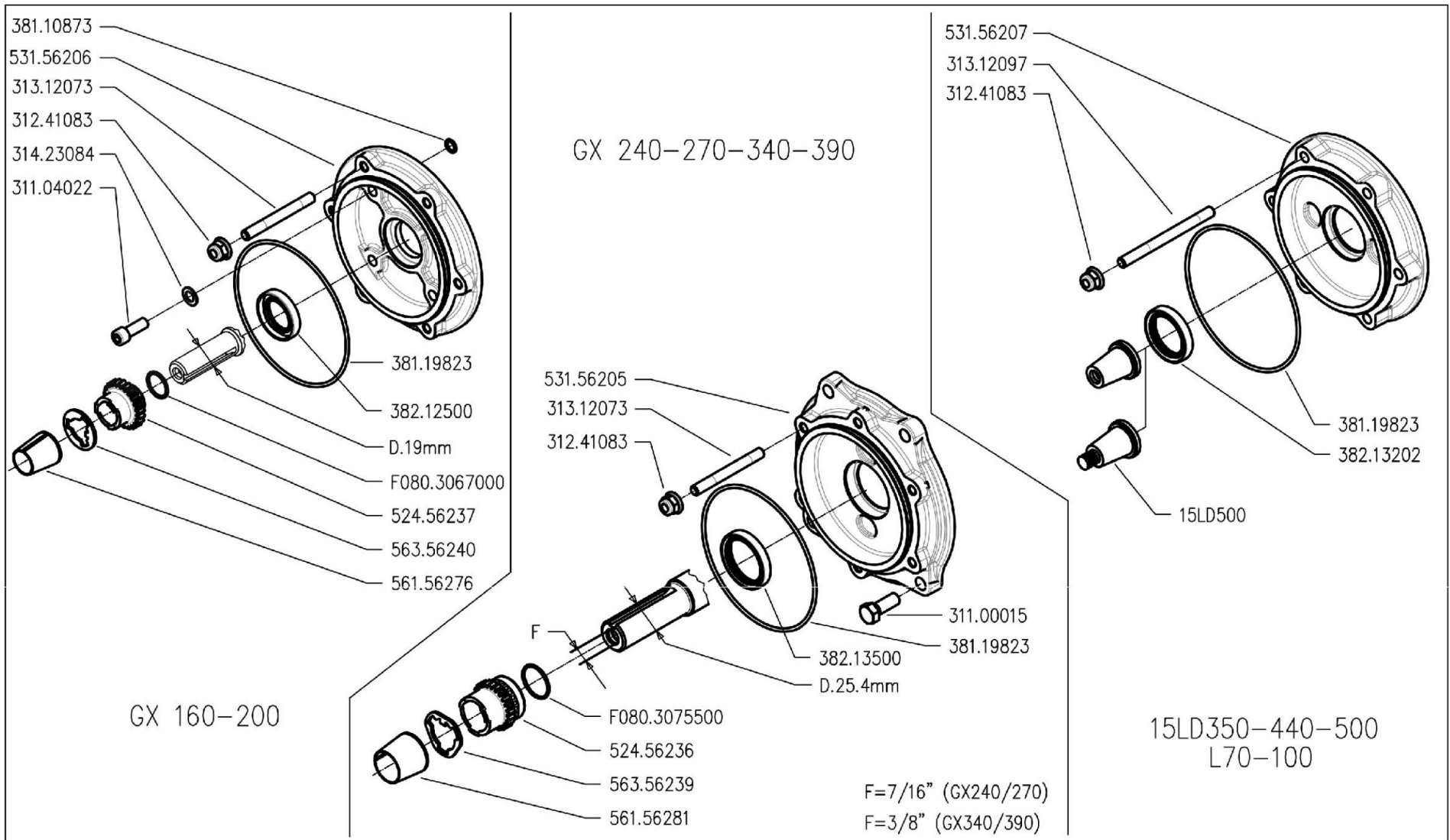
15LD500-3LD510



i = info - stop 2 sec. ★ = new part

Pos.	Id	Q.ty	Description	Note
1	52456234		HUB Q19	
2	38110675		O-RING 106 (6,75X1,78)	
3	56156288Z		SPECIAL WASHER SP.4	
4	31421083		WASHER	
5	31100023		SCREW 5/16-24 X 1 UNF 8G	
6	52456233		HUB Q25	
7	56156743		WASHER 30X11.5X3	GX240-270/REPLACE 31100029+31100031+56556282
7	561C0421		WASHER	GX340-390/REPLACE 31100029+31100031+56556282
8	31421101		WASHER 10 DIN 679	REPLACE 31100029+31100031+56556282/GX340-390
8	31421130		WASHER	
9	31100032		SCREW TCCEI 7/16-20 X 1-1/2	GX240-270/REPLACE 31100029+31100031+56556282
9	31100033		SCREW TCCEI 3/8-24 X 1-1/2	GX340-390/REPLACE 31100029+31100031+56556282
10	38111872		O-RING 3075 (18,72x2,62)	
11	52456245		HUB	
12	31421083		WASHER	
13	31152090		SCREW TCEI M8x80 UNI5931	
14	56347873		WASHER	
15	56347870Z		SPECIAL NUT	
16	35111029		SEEGER RING I 28 UNI 7437	



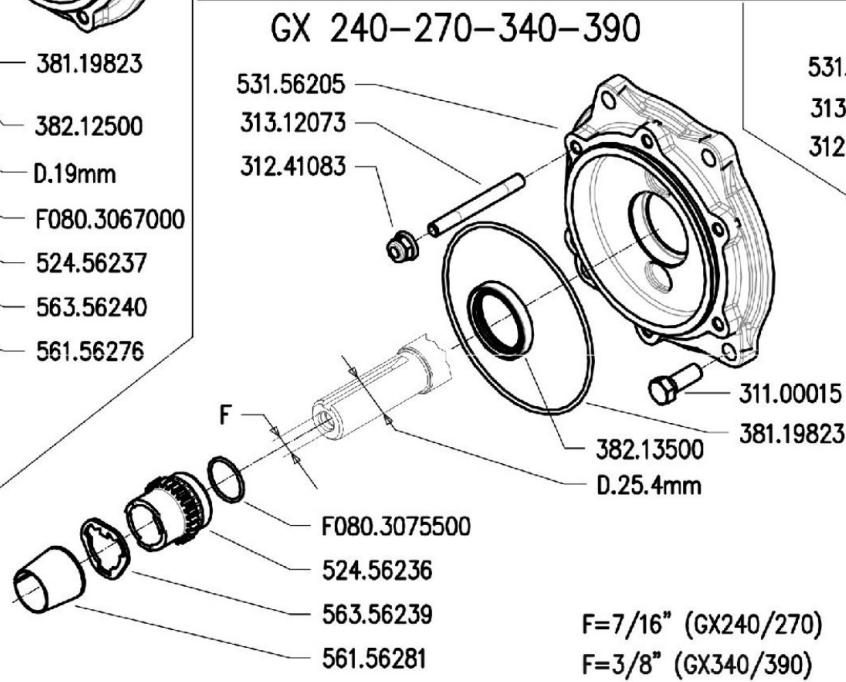
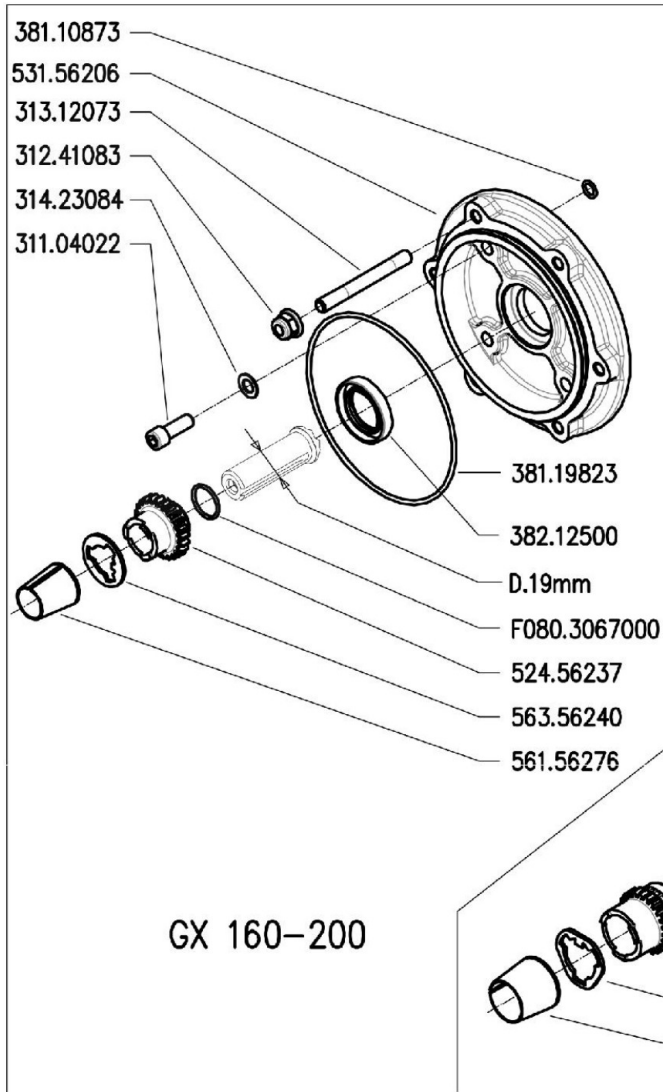


	300 serie PS PowerSafe®	ENGINE FLANGES BRIDAS MOTOR	FLANGIE MOTORE BRIDES MOTEUR MOTOR FLANSCHEN	DALLA MACCHINA DE LA MAQUINA FROM THE MACHINE AB DER MASCHINE	<input type="checkbox"/>	F01	Rev. 0
					N.		

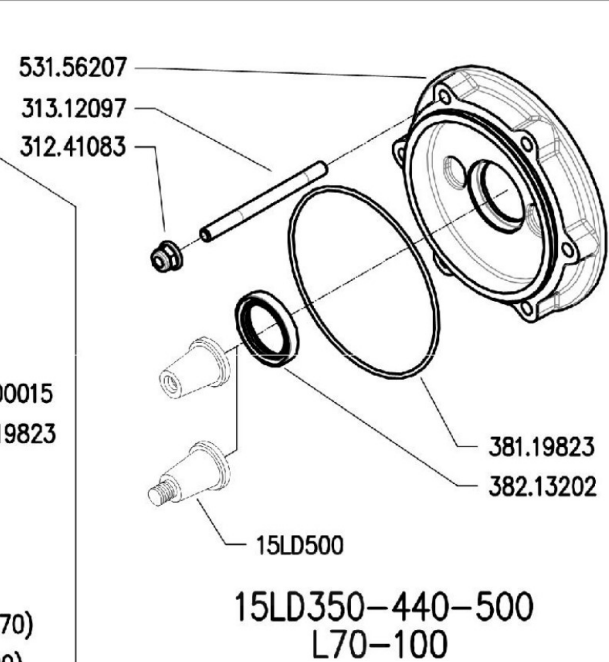
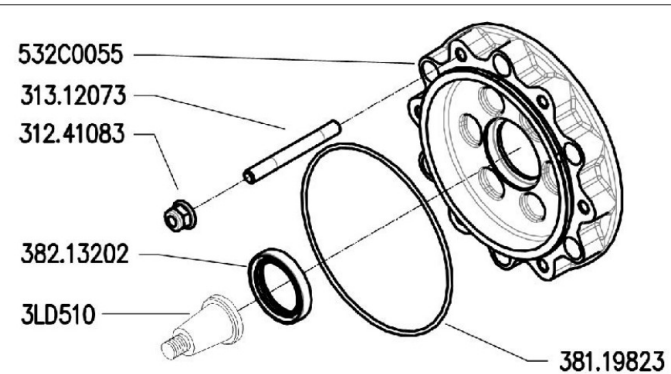
DITE.FCS - Scala 1:6

Pos.	Id	Q.ty	Description	Note
31100015	31100015	1	SCREW TE 3/8X1	
31104022	31104022	1	SCREW TCEI 5/16X7/8 UNF 12K	
31241083	31241083	1	SELFLOCK NUT M8	
31312073	31312073	1	STUD BOLT M8X73X14X20 8G	
31312097	31312097	1	STUD BOLT M8X98X16X28 8G	
31423084	31423084	1	SPRING WASHER 8,4	
38110873	38110873	1	O-RING 108 (8,73X1,78)	
38119823	38119823	1	O-RING 3450 (113,97x2,62)	
38212500	38212500	1	OIL SEAL 25X40X7	
38213202	38213202	1	OIL SEAL 32X45X7	
38213500	38213500	1	OIL SEAL 35X47X7	
52456236	52456236	1	PUMP GEAR	
52456237	52456237	1	PUMP GEAR	
53156205	53156205	1	ENGINE FLANGE Q25	
53156206	53156206	1	ENGINE FLANGE Q19	
53156207	53156207	1	ENGINE FLANGE	
56156276	56156276	1	SLEEVE D.19	
56156281	56156281	1	CENTRING BUSH D.25,4	
56356239	56356239	1	FEEDER Q25	
56356240	56356240	1	TRANSMISSION	
F0803067000	F0803067000	1	O-RING 2075 (18,77X1,78)	
F0803075500	F0803075500	1	O-RING 2100 (25,12X1,78)	





★ 3LD510



300 serie PS
PowerSafe®

ENGINE FLANGES
BRIDAS MOTOR

FLANGIE MOTORE

BRIDES MOTEUR
MOTOR FLANSCHEN

DALLA MACCHINA
DE LA MAQUINA
DE LA MAQUINA
FROM THE MACHINE
AB DER MASCHINE

★ N.

AGGIORNAMENTO
APLAZAMIENTO
MISE A JOUR
REVISION
ANPASSUNG

F01

11/2010

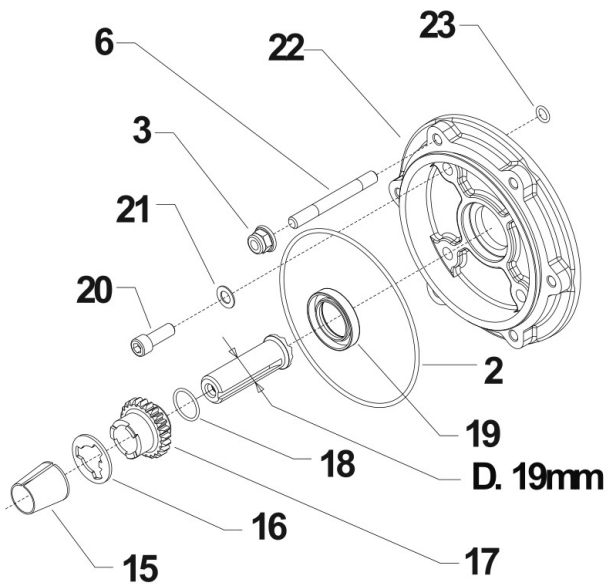
Rev. 1

DITE BCS - Scala 1:6



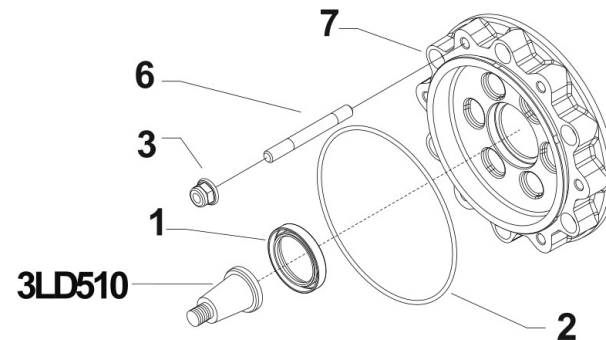
Pos.	Id	Q.ty	Description	Note
31100015	31100015	1	SCREW TE 3/8X1	
31104022	31104022	1	SCREW TCEI 5/16X7/8 UNF 12K	
31241083	31241083	1	SELFLOCK NUT M8	
31312073	31312073	1	STUD BOLT M8X73X14X20 8G	
31312097	31312097	1	STUD BOLT M8X98X16X28 8G	
31423084	31423084	1	SPRING WASHER 8,4	
38110873	38110873	1	O-RING 108 (8,73X1,78)	
38119823	38119823	1	O-RING 3450 (113,97x2,62)	
38212500	38212500	1	OIL SEAL 25X40X7	
38213202	38213202	1	OIL SEAL 32X45X7	
38213500	38213500	1	OIL SEAL 35X47X7	
52456236	52456236	1	PUMP GEAR	
52456237	52456237	1	PUMP GEAR	
53156205	53156205	1	ENGINE FLANGE Q25	
53156206	53156206	1	ENGINE FLANGE Q19	
53156207	53156207	1	ENGINE FLANGE	
532C0055	532C0055	1	ACT ENGINE FLANGE	
56156276	56156276	1	SLEEVE D.19	
56156281	56156281	1	CENTRING BUSH D.25,4	
56356239	56356239	1	FEEDER Q25	
56356240	56356240	1	TRANSMISSION	
F0803067000	F0803067000	1	O-RING 2075 (18,77X1,78)	
F0803075500	F0803075500	1	O-RING 2100 (25,12X1,78)	



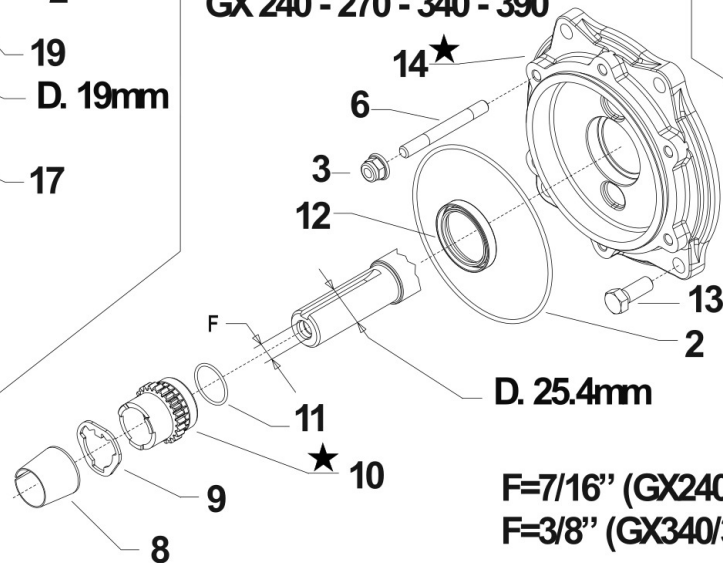


GX 160 - 200
Ex21 - Gp160★

3LD510

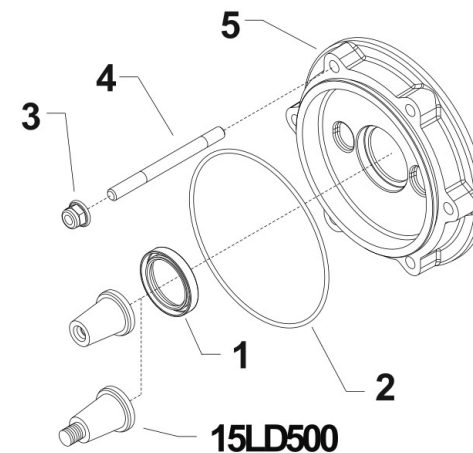


B&S 2100★ B&S 1450★
GX 240 - 270 - 340 - 390



D. 25.4mm

F=7/16" (GX240/270)
F=3/8" (GX340/390)



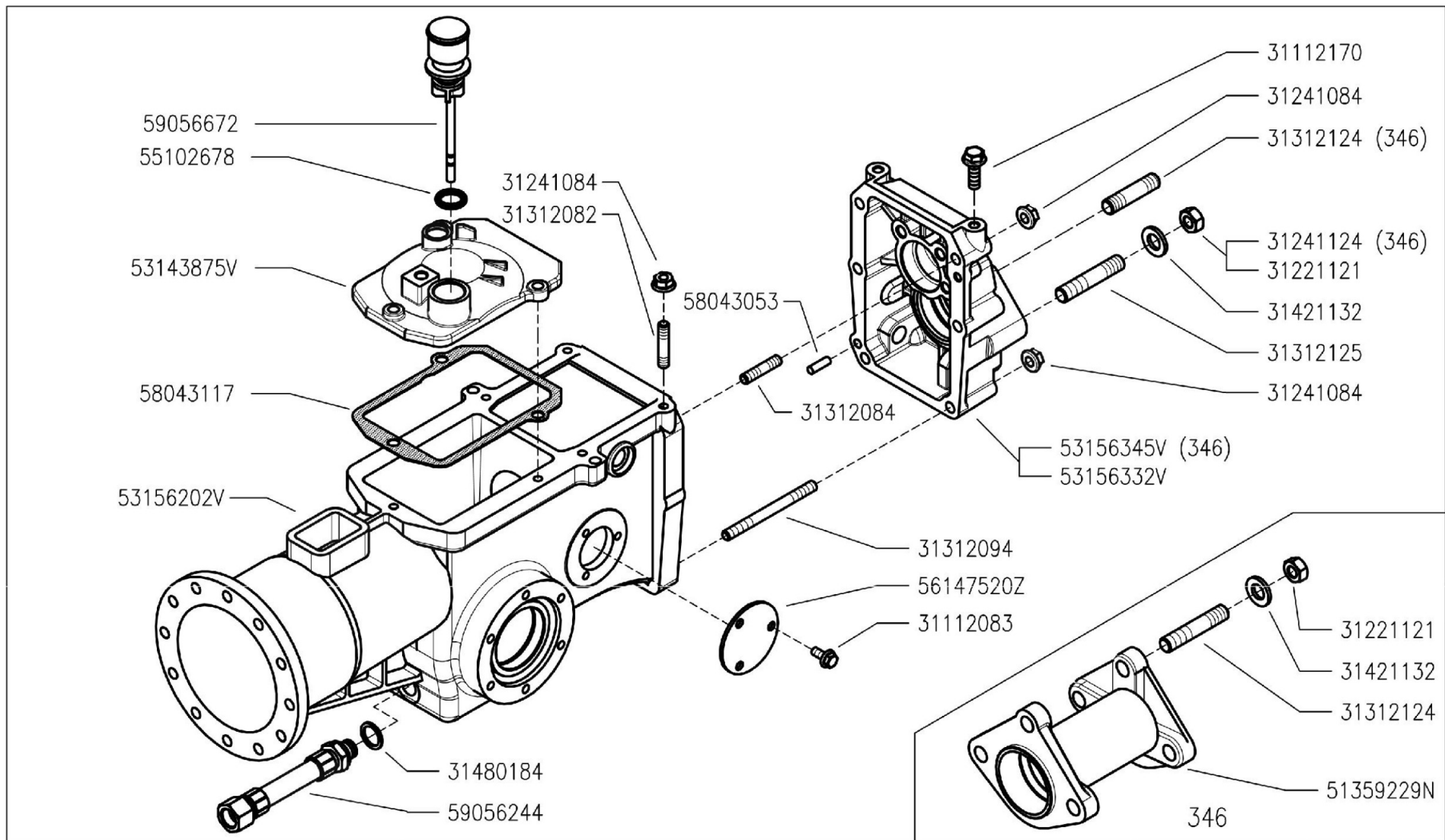
15LD350 - 440 - 500
Kd350★ - Kd440★
L70 - L100



i = info - stop 2 sec. ★ = new part

Pos.	Id	Q.ty	Description	Note
1	38213202		OIL SEAL 32X45X7	
2	38119823		O-RING 3450 (113,97x2,62)	
3	31241083		SELFLOCK NUT M8	
4	31312097		STUD BOLT M8X98X16X28 8G	
5	53156207		ENGINE FLANGE	
6	31312073		STUD BOLT M8X73X14X20 8G	
7	532C0055		ACT ENGINE FLANGE	
8	56156281		CENTRING BUSH D.25,4	
9	56356239		FEEDER Q25	
10	52456236		PUMP GEAR	
10	52456352		PUMP GEAR	EX 35 - B&S 2100
11	F0803075500		O-RING 2100 (25,12X1,78)	
12	38213500		OIL SEAL 35X47X7	
13	31100015		SCREW TE 3/8X1	
14	53156205		ENGINE FLANGE Q25	
14	53256692		ENGINE FLANGE B&S 2100	B&S 2100
15	56156276		SLEEVE D.19	
16	56356240		TRANSMISSION	
17	52456237		PUMP GEAR	
18	F0803067000		O-RING 2075 (18,77X1,78)	
19	38212500		OIL SEAL 25X40X7	
20	31104022		SCREW TCEI 5/16X7/8 UNF 12K	
21	31423084		SPRING WASHER 8,4	
22	53156206		ENGINE FLANGE Q19	
23	38110873		O-RING 108 (8,73X1,78)	



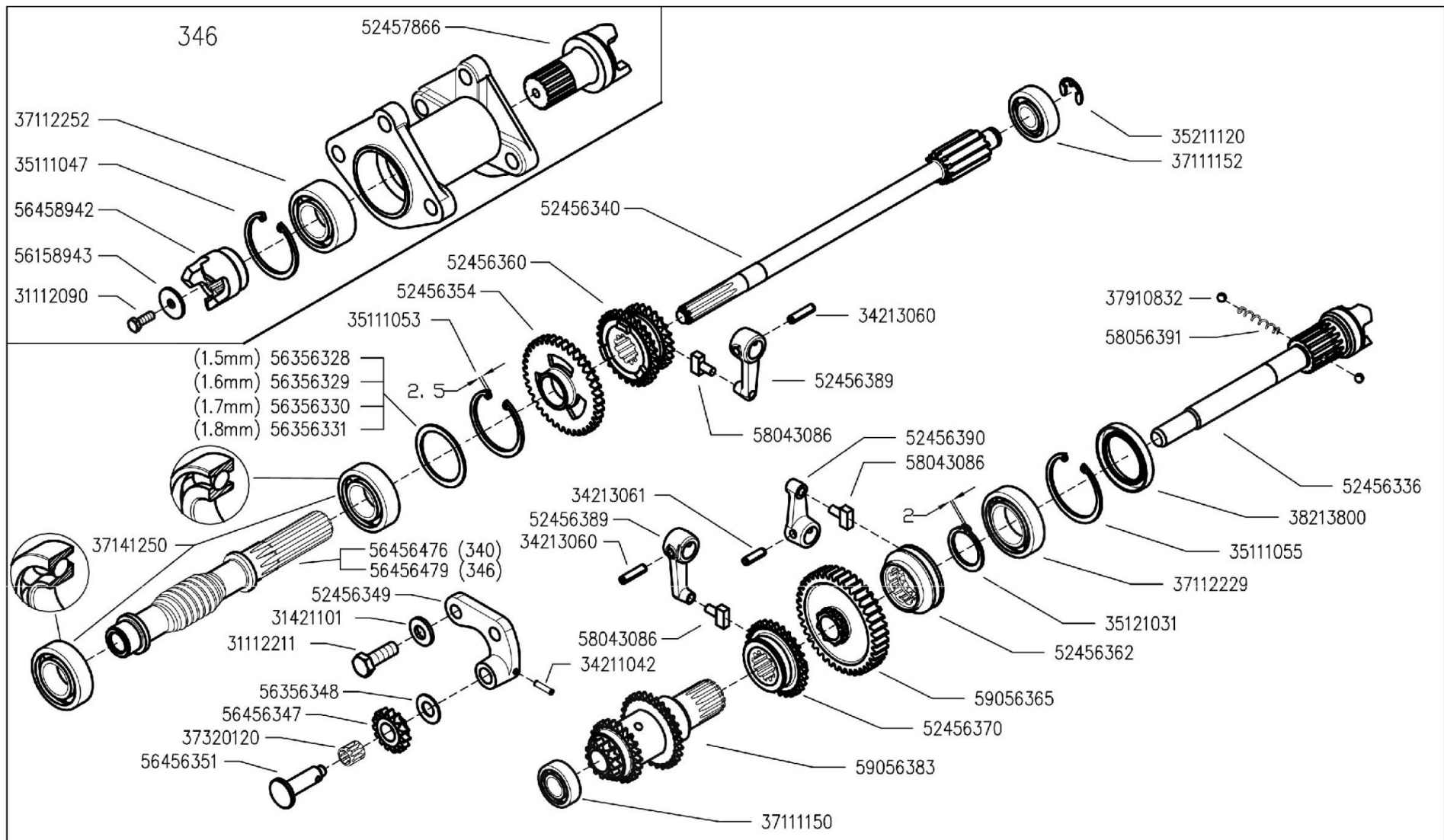


	300 serie PS PowerSafe®	GEARBOX CAJA DE CAMBIO	SCATOLA CAMBIO (340-346)	BOITE DE VITESSES WECHSELGETRIEBE	DALLA MACCHINA DE LA MAQUINA FROM THE MACHINE AB DER MASCHINE	Rev.
						N.

DITE.BCS - Scala 1:4

Pos.	Id	Q.ty	Description	Note
31112083	31112083	1	SCREW M6X12	
31112170	31112170	1	SCREW TE C/F M8X20 DIN 6921	
31221121	31221121	1	NUT M12X1,25	
31241084	31241084	1	SELFLOCK NUT M8 6S	
31241124	31241124	1	SELFLOCK NUT M12x1,25	
31312082	31312082	1	STUD BOLT M8X38X14X20	
31312084	31312084	1	STUD BOLT M8X58X16X16	
31312094	31312094	1	STUD BOLT M8X68X14X36	
31312124	31312124	1	STUD BOLT 52XM12X1,25X22XM12X22 8G	
31312125	31312125	1	STUD BOLT 64XM12X1,25X26XM12X30 8G	
31421132	31421132	1	WASHER 13X24X2,8	
31480184	31480184	1	COPPER WASHER 16,7x22/1,5	
55102678	55102678	1	RUBBER RING	
58043053	58043053	1	CYLINDRICAL PLUG	
58043117	58043117	1	COVER GASKET	
59056244	59056244	1	SUCTION PIPE	
59056672	59056672	1	OIL LEVEL CAP W/SHAFT	
51359229N	51359229N	1	BODY	
53143875V	53143875V	1	GEARBOX HOUSING COVER	
53156202V	53156202V	1	BOX CASING	
53156332V	53156332V	1	REAR COVER	
53156345V	53156345V	1	REAR COVER	
56147520Z	56147520Z	1	COVER	





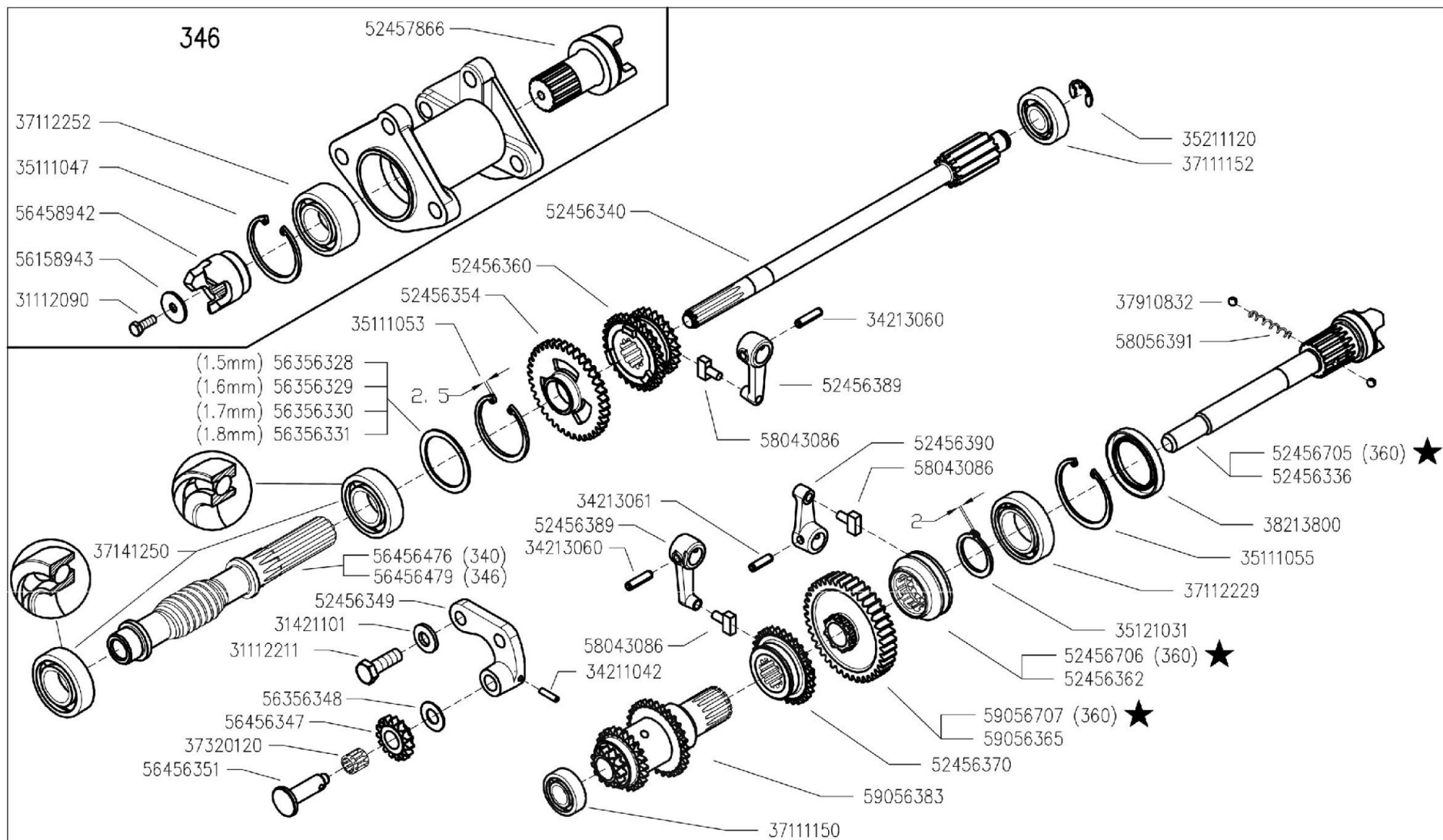
FERRARI	300 serie PS PowerSafe®	GEARS ENGRANAJES	INGRANAGGI CAMBIO (340-346)	ENGRANAGES ZÄHNRÄDER	DALLA MACCHINA DE LA MAQUINA FROM THE MACHINE AB DER MASCHINE	N.	H03	Rev. 0
							05/2009	DITE.ECS - Scala 1:4

Pos.	Id	Q.ty	Description	Note
31112090	31112090	1	SCREW TE M6X16 UNI 5739 8G	
31112211	31112211	1	SCREW TE M10X30 UNI 5739	
31421101	31421101	1	WASHER 10 DIN 679	
34211042	34211042	1	ROLL PIN	
34213060	34213060	1	ROLL PIN	
34213061	34213061	1	ROLL PIN	
35111047	35111047	1	SEEGER RING I 47 DIN 472	
35111053	35111053	1	SEEGER RING I 52 UNI 7438	
35111055	35111055	1	SEEGER RING I 55 DIN 472	
35121031	35121031	1	SEEGER RING E 30 UNI 7436	
35211120	35211120	1	SEEGER RING E 12 UNI 7434	
37111150	37111150	1	BEARING 6202 (15X35X11)	
37111152	37111152	1	BEARING 6302 (15X42X13) SKF	
37112229	37112229	1	BEARING 6006 (30X55X13) SKF	
37112252	37112252	1	BEARING 6005-2RS (25X47X12)	
37141250	37141250	1	BEARING 7205-B OBL SKF	
37320120	37320120	1	ROLLER CAGE 12X15/10	
37910832	37910832	1	BALL 1/4	
38213800	38213800	1	OIL SEAL 38X55X7	
52456336	52456336	1	PTO SHAFT L=193	
52456340	52456340	1	SHAFT	
52456349	52456349	1	GEAR SUPPORT	
52456354	52456354	1	GEAR	
52456360	52456360	1	SLIDER	
52456362	52456362	1	COUPLING	
52456370	52456370	1	SLIDER	
52456389	52456389	1	LEVER	
52456390	52456390	1	LEVER	
52457866	52457866	1	SHAFT MM80	



Pos.	Id	Q.ty	Description	Note
56158943	56158943	1	WASHER 7,0x25/2	
56356328	56356328	1	ADJUSTING RING SP=1,5	
56356329	56356329	1	ADJUSTING RING SP=1,6	
56356330	56356330	1	ADJUSTING RING SP=1,7	
56356331	56356331	1	ADJUSTING RING SP=1,8	
56356348	56356348	1	ADJUSTING RING	
56456347	56456347	1	GEAR	
56456351	56456351	1	GEAR PIN	
56456476	56456476	1	SCREW 2	
56456479	56456479	1	SCREW 4 SN	
56458942	56458942	1	COUPLING D=25	
58043086	58043086	1	SHOE	
58056391	58056391	1	SPRING	
59056365	59056365	1	PTO GEAR	
59056383	59056383	1	TRIPLE GEAR	





	<h1>300 serie PS</h1> <h2>PowerSafe®</h2>	INGRANAGGI CAMBIO (340-346-360 ★)	DALLA MACCHINA DE LA MAQUINA FROM THE MACHINE AB DER MASCHINE	AGGIORNAMENTO APLAZAMIENTO MISE A JOUR REVISION ANPASSUNG	H03 11/2010	Rev. 1
	GEARS	ENGRANAJES	ENGRANAGES	ZÄHNRÄDER		
	★ N.					

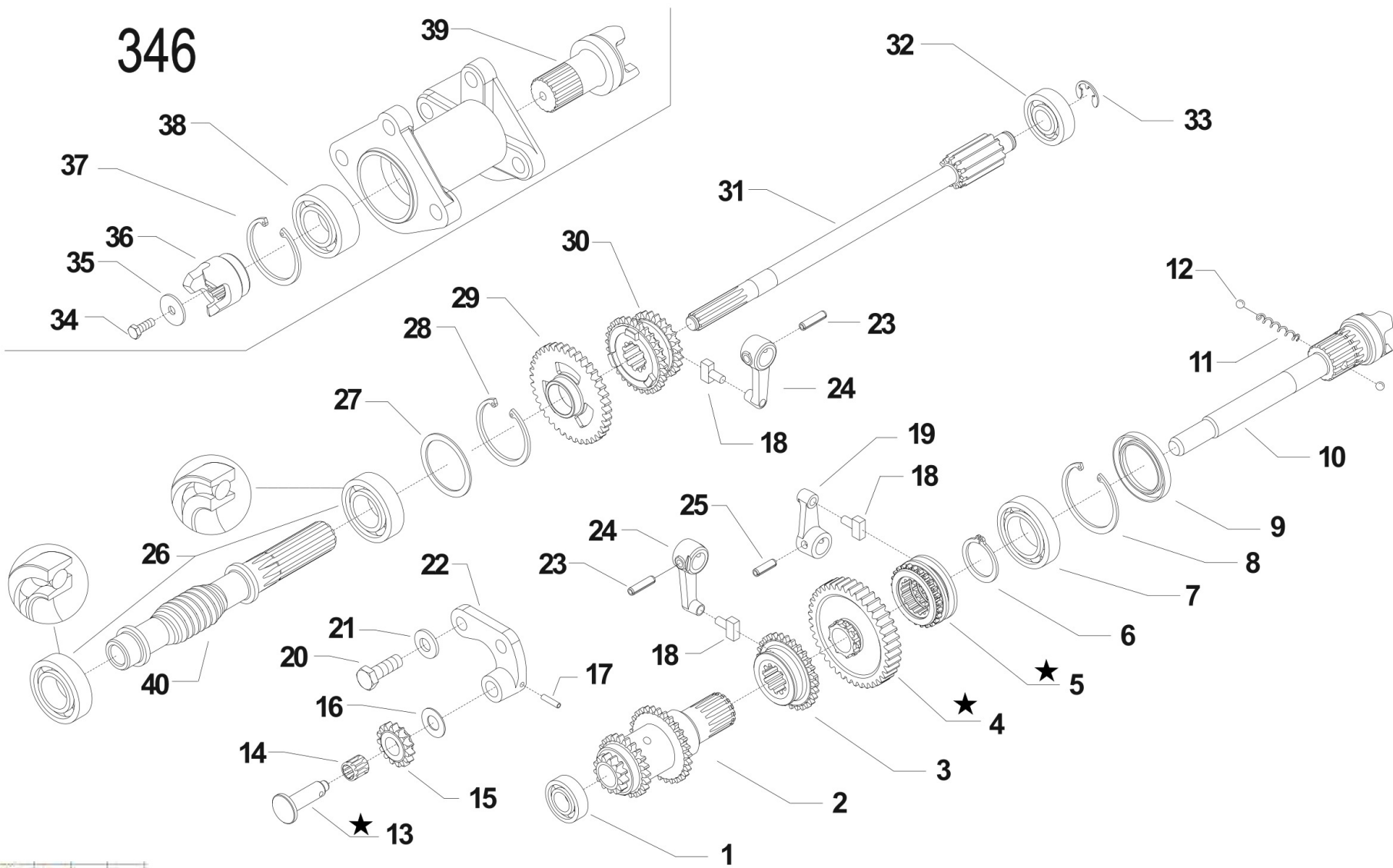
DITE BCS - Scala 1:4

Pos.	Id	Q.ty	Description	Note
31112090	31112090	1	SCREW TE M6X16 UNI 5739 8G	
31112211	31112211	1	SCREW TE M10X30 UNI 5739	
31421101	31421101	1	WASHER 10 DIN 679	
34211042	34211042	1	ROLL PIN	
34213060	34213060	1	ROLL PIN	
34213061	34213061	1	ROLL PIN	
35111047	35111047	1	SEEGER RING I 47 DIN 472	
35111053	35111053	1	SEEGER RING I 52 UNI 7438	
35111055	35111055	1	SEEGER RING I 55 DIN 472	
35121031	35121031	1	SEEGER RING E 30 UNI 7436	
35211120	35211120	1	SEEGER RING E 12 UNI 7434	
37111150	37111150	1	BEARING 6202 (15X35X11)	
37111152	37111152	1	BEARING 6302 (15X42X13) SKF	
37112229	37112229	1	BEARING 6006 (30X55X13) SKF	
37112252	37112252	1	BEARING 6005-2RS (25X47X12)	
37141250	37141250	1	BEARING 7205-B OBL SKF	
37320120	37320120	1	ROLLER CAGE 12X15/10	
37910832	37910832	1	BALL 1/4	
38213800	38213800	1	OIL SEAL 38X55X7	
52456336	52456336	1	PTO SHAFT L=193	
52456340	52456340	1	SHAFT	
52456349	52456349	1	GEAR SUPPORT	
52456354	52456354	1	GEAR	
52456360	52456360	1	SLIDER	
52456362	52456362	1	COUPLING	
52456370	52456370	1	SLIDER	
52456389	52456389	1	LEVER	
52456390	52456390	1	LEVER	
52456705	52456705	1	PTO SHAFT	



Pos.	Id	Q.ty	Description	Note
52456706	52456706	1	PTO COUPLING	
52457866	52457866	1	SHAFT MM80	
56158943	56158943	1	WASHER 7,0x25/2	
56356328	56356328	1	ADJUSTING RING SP=1,5	
56356329	56356329	1	ADJUSTING RING SP=1,6	
56356330	56356330	1	ADJUSTING RING SP=1,7	
56356331	56356331	1	ADJUSTING RING SP=1,8	
56356348	56356348	1	ADJUSTING RING	
56456347	56456347	1	GEAR	
56456351	56456351	1	GEAR PIN	
56456476	56456476	1	SCREW 2	
56456479	56456479	1	SCREW 4 SN	
56458942	56458942	1	COUPLING D=25	
58043086	58043086	1	SHOE	
58056391	58056391	1	SPRING	
59056365	59056365	1	PTO GEAR	
59056383	59056383	1	TRIPLE GEAR	
59056707	59056707	1	GEAR	





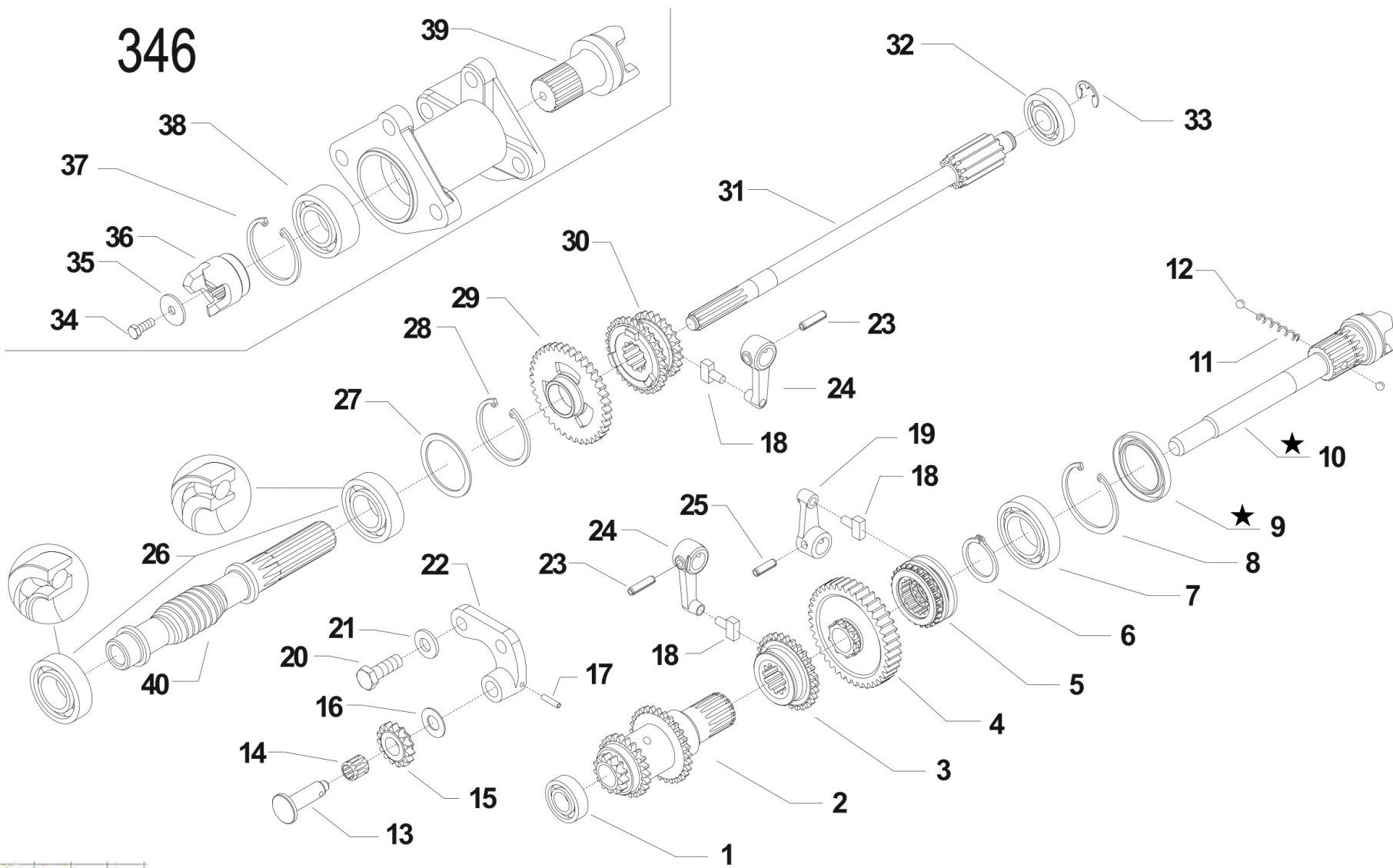

i = info - stop 2 sec. ★ = new part

Pos.	Id	Q.ty	Description	Note
1	37111150		BEARING 6202 (15X35X11)	
2	59056383		TRIPLE GEAR	
3	52456370		SLIDER	
4	59056707		GEAR	Replaces 59056365 + 52456362 from serial 863327 for 340-346
5	52456706		PTO COUPLING	Replaces 59056365 + 52456362 from serial 863327 for 340-346
6	35121031		SEEGER RING E 30 UNI 7436	
7	37112229		BEARING 6006 (30X55X13) SKF	
8	35111055		SEEGER RING I 55 DIN 472	
9	38213800		OIL SEAL 38X55X7	
10	52456336		PTO SHAFT L=193	
10	52456705		PTO SHAFT	For Model 360
11	58056391		SPRING	
12	37910832		BALL 1/4	
13	56456736		GEAR PIN	Replaces 56456351
14	37320120		ROLLER CAGE 12X15/10	
15	56456347		GEAR	
16	56356348		ADJUSTING RING	
17	34211042		ROLL PIN	
18	58043086		SHOE	
19	52456390		LEVER	
20	31112211		SCREW TE M10X30 UNI 5739	
21	31421101		WASHER 10 DIN 679	
22	52456349		GEAR SUPPORT	
23	34213060		ROLL PIN	
24	52456389		LEVER	
25	34213061		ROLL PIN	
26	37141250		BEARING 7205-B OBL SKF	
27	56356328		ADJUSTING RING SP=1,5	
27	56356329		ADJUSTING RING SP=1,6	



Pos.	Id	Q.ty	Description	Note
27	56356330		ADJUSTING RING SP=1,7	
27	56356331		ADJUSTING RING SP=1,8	
28	35111053		SEEGER RING I 52 UNI 7438	
29	52456354		GEAR	
30	52456360		SLIDER	
31	52456340		SHAFT	
32	37111152		BEARING 6302 (15X42X13) SKF	
33	35211120		SEEGER RING E 12 UNI 7434	
34	31112090		SCREW TE M6X16 UNI 5739 8G	
35	56158943		WASHER 7,0x25/2	
36	56458942		COUPLING D=25	
37	35111047		SEEGER RING I 47 DIN 472	
38	37112252		BEARING 6005-2RS (25X47X12)	
39	52457866		SHAFT MM80	
40	56456476		SCREW 2	For Model 340
40	56456479		SCREW 4 SN	For Model 346










i = info - stop 2 sec.

★ = new part

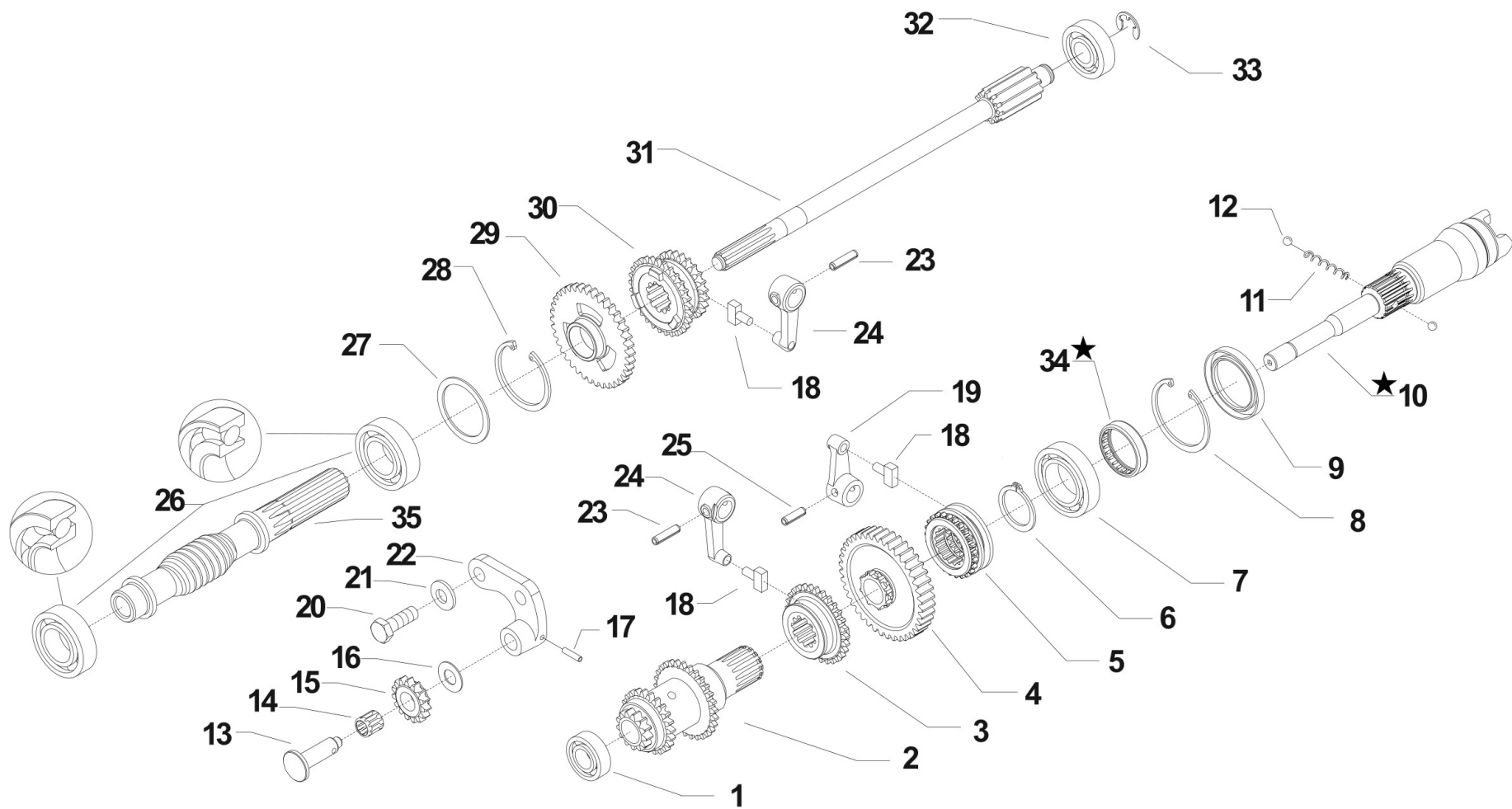


Pos.	Id	Q.ty	Description	Note
1	37111150		BEARING 6202 (15X35X11)	
2	59056383		TRIPLE GEAR	
3	52456370		SLIDER	
4	59056707		GEAR	
5	52456706		PTO COUPLING	
6	35121031		SEEGER RING E 30 UNI 7436	
7	37112229		BEARING 6006 (30X55X13) SKF	
8	35111055		SEEGER RING I 55 DIN 472	
9	38213800		OIL SEAL 38X55X7	
9	38214207		OIL SEAL 42X55X7	REPLACES 52456705 + 38213800 FOR MODEL 360
10	52456336		PTO SHAFT L=193	
10	52456713		PTO SHAFT	REPLACES 52456705 + 38213800 FOR MODEL 360
11	58056391		SPRING	
12	37910832		BALL 1/4	
13	56456736		GEAR PIN	
14	37320120		ROLLER CAGE 12X15/10	
15	56456347		GEAR	
16	56356348		ADJUSTING RING	
17	34211042		ROLL PIN	
18	58043086		SHOE	
19	52456390		LEVER	
20	31112211		SCREW TE M10X30 UNI 5739	
21	31421101		WASHER 10 DIN 679	
22	52456349		GEAR SUPPORT	
23	34213060		ROLL PIN	
24	52456389		LEVER	
25	34213061		ROLL PIN	
26	37141250		BEARING 7205-B OBL SKF	
27	56356328		ADJUSTING RING SP=1,5	



Pos.	Id	Q.ty	Description	Note
27	56356329		ADJUSTING RING SP=1,6	
27	56356330		ADJUSTING RING SP=1,7	
27	56356331		ADJUSTING RING SP=1,8	
28	35111053		SEEGER RING I 52 UNI 7438	
29	52456354		GEAR	
30	52456360		SLIDER	
31	52456340		SHAFT	
32	37111152		BEARING 6302 (15X42X13) SKF	
33	35211120		SEEGER RING E 12 UNI 7434	
34	31112090		SCREW TE M6X16 UNI 5739 8G	
35	56158943		WASHER 7,0x25/2	
36	56458942		COUPLING D=25	
37	35111047		SEEGER RING I 47 DIN 472	
38	37112252		BEARING 6005-2RS (25X47X12)	
39	52457866		SHAFT MM80	
40	56456476		SCREW 2	340
40	56456479		SCREW 4 SN	346





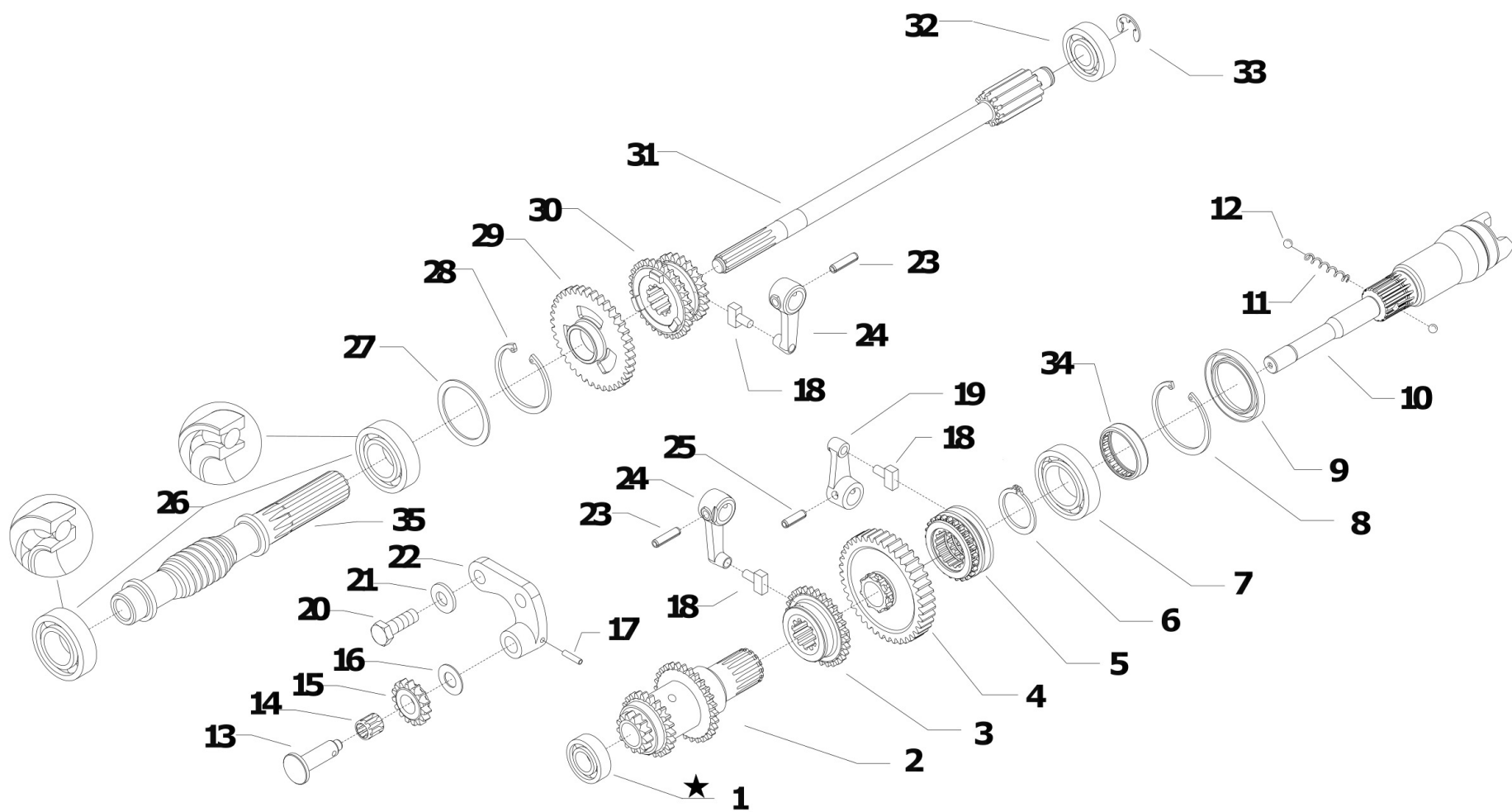
i = info - stop 2 sec. ★ = new part

Pos.	Id	Q.ty	Description	Note
1	37111150		BEARING 6202 (15X35X11)	
2	59056383		TRIPLE GEAR	
3	52456370		SLIDER	
4	59056707		GEAR	
5	52456706		PTO COUPLING	
6	35121031		SEEGER RING E 30 UNI 7436	
7	37112229		BEARING 6006 (30X55X13) SKF	
8	35111055		SEEGER RING I 55 DIN 472	
9	38213800		OIL SEAL 38X55X7	
9	38214207		OIL SEAL 42X55X7	
10	52456336		PTO SHAFT L=193	
10	524C0061		PTO SHAFT 750-16	REPLACES 52456713 FOR THE 360 MODEL
11	58056391		SPRING	
12	37910832		BALL 1/4	
13	56456736		GEAR PIN	
14	37320120		ROLLER CAGE 12X15/10	
15	56456347		GEAR	
16	56356348		ADJUSTING RING	
17	34211042		ROLL PIN	
18	58043086		SHOE	
19	52456390		LEVER	
20	31112211		SCREW TE M10X30 UNI 5739	
21	31421101		WASHER 10 DIN 679	
22	52456349		GEAR SUPPORT	
23	34213060		ROLL PIN	
24	52456389		LEVER	
25	34213061		ROLL PIN	
26	37141250		BEARING 7205-B OBL SKF	
27	56356328		ADJUSTING RING SP=1,5	



Pos.	Id	Q.ty	Description	Note
27	56356329		ADJUSTING RING SP=1,6	
27	56356330		ADJUSTING RING SP=1,7	
27	56356331		ADJUSTING RING SP=1,8	
28	35111053		SEEGER RING I 52 UNI 7438	
29	52456354		GEAR	
30	52456360		SLIDER	
31	52456340		SHAFT	
32	37111152		BEARING 6302 (15X42X13) SKF	
33	35211120		SEEGER RING E 12 UNI 7434	
34	37331450		BUSHING R/NI HK (45X52X12)	
35	56456476		SCREW 2	340
35	56456479		SCREW 4 SN	360





 [Click for info](#)

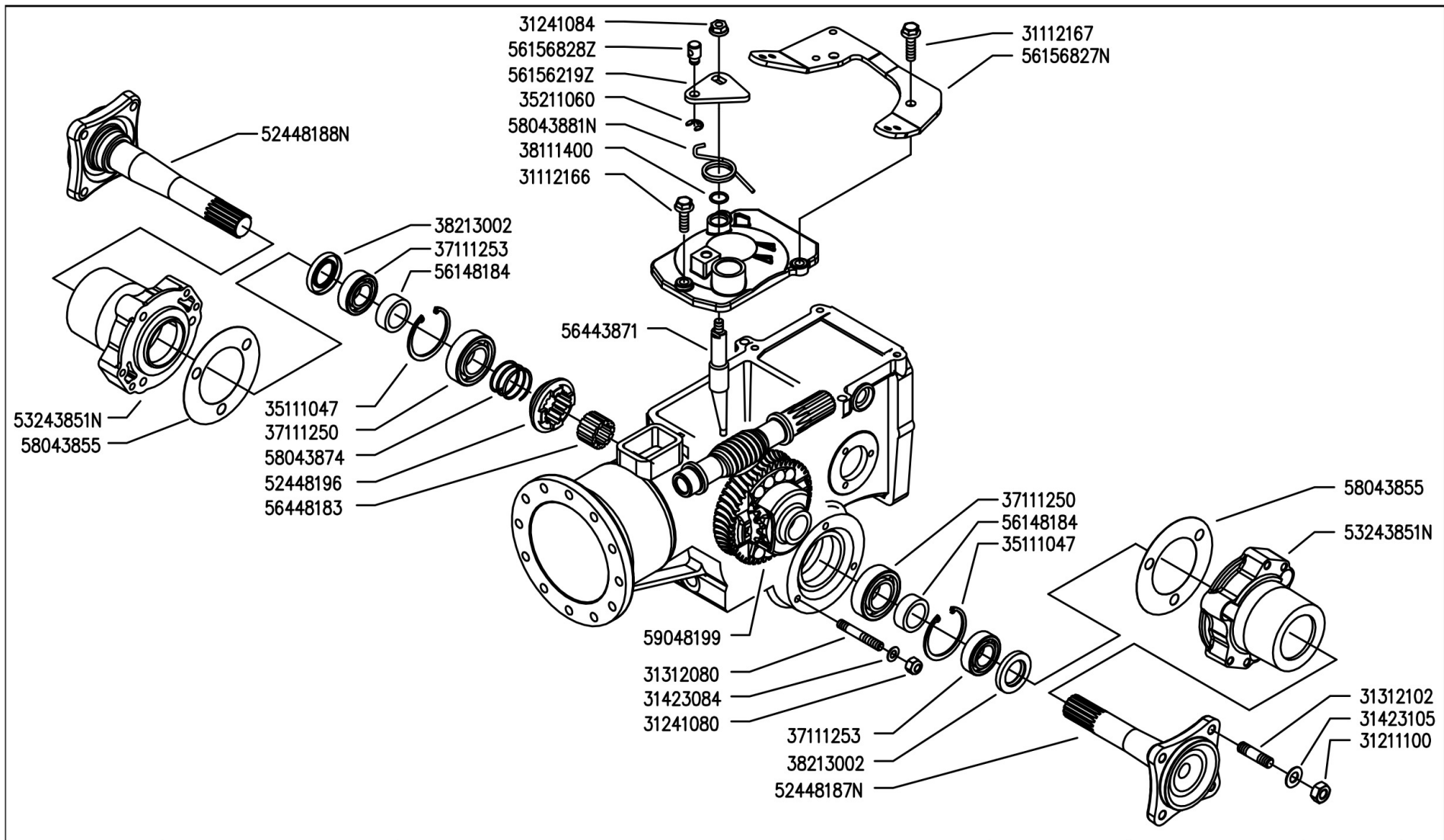
★ = new part

Pos.	Id	Q.ty	Description	Note
1	37111151		BEARING 6202 (15X35X11)	REPLACES 37111150
2	59056383		TRIPLE GEAR	
3	52456370		SLIDER	
4	59056707		GEAR	
5	52456706		PTO COUPLING	
6	35121031		SEEGER RING E 30 UNI 7436	
7	37112229		BEARING 6006 (30X55X13) SKF	
8	35111055		SEEGER RING I 55 DIN 472	
9	38213800		OIL SEAL 38X55X7	
9	38214207		OIL SEAL 42X55X7	MC 360
10	52456336		PTO SHAFT L=193	
10	524C0061		PTO SHAFT 750-16	MC 360
11	58056391		SPRING	
12	37910832		BALL 1/4	
13	56456736		GEAR PIN	
14	37320120		ROLLER CAGE 12X15/10	
15	56456347		GEAR	
16	56356348		ADJUSTING RING	
17	34211042		ROLL PIN	
18	58043086		SHOE	
19	52456390		LEVER	
20	31112211		SCREW TE M10X30 UNI 5739	
21	31421101		WASHER 10 DIN 679	
22	52456349		GEAR SUPPORT	
23	34213060		ROLL PIN	
24	52456389		LEVER	
25	34213061		ROLL PIN	
26	37141250		BEARING 7205-B OBL SKF	
27	56356328		ADJUSTING RING SP=1,5	



Pos.	Id	Q.ty	Description	Note
27	56356329		ADJUSTING RING SP=1,6	
27	56356330		ADJUSTING RING SP=1,7	
27	56356331		ADJUSTING RING SP=1,8	
28	35111053		SEEGER RING I 52 UNI 7438	
29	52456354		GEAR	
30	52456360		SLIDER	
31	52456340		SHAFT	
32	37111152		BEARING 6302 (15X42X13) SKF	
33	35211120		SEEGER RING E 12 UNI 7434	
34	37331450		BUSHING R/NI HK (45X52X12)	
35	56456476		SCREW 2	340
35	56456479		SCREW 4 SN	360





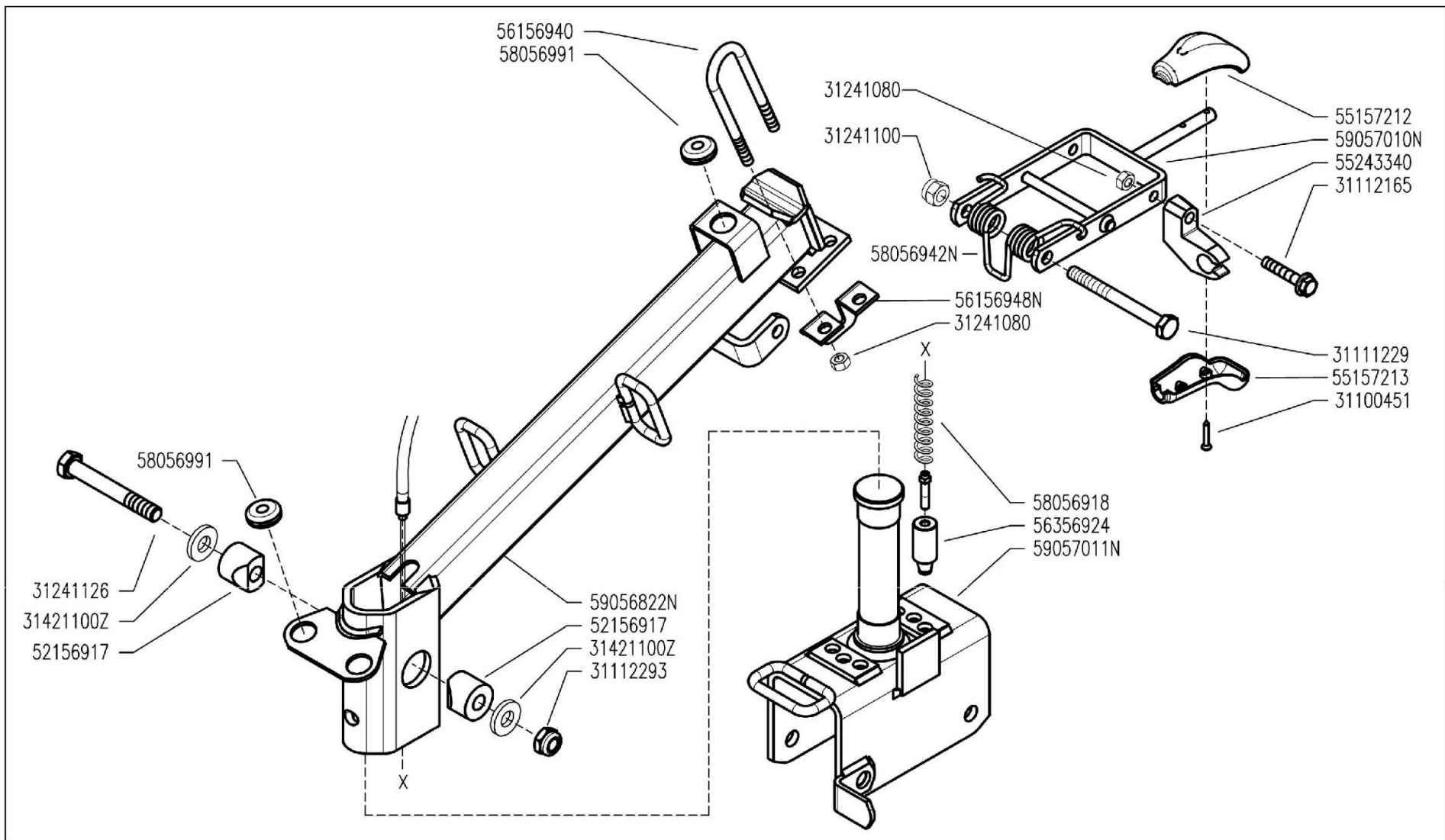
	300 serie PS PowerSafe®	WHEELS AXLE EJE RUEDAS	ASSE RUOTE (340)	ESSIEUS ROUES RÄDACHSE	DALLA MACCHINA DE LA MAQUINA DE LA MACHINA FROM THE MACHINE AB DER MASCHINE				Rev.
						N.	103	0	
							05/2009		

DITE.BCS - Scat. 1/5



Pos.	Id	Q.ty	Description	Note
31112166	31112166	1	SCREW TE C/F M8X25 DIN 6921 8G	
31112167	31112167	1	SCREW TE C/F M8X30 DIN 6921 8G	
31211100	31211100	1	NUT M10	
31241080	31241080	1	HEXAGON SELFLOCK NUT M8	
31241084	31241084	1	SELFLOCK NUT M8 6S	
31312080	31312080	1	STUD BOLT M8X46X20X12	
31312102	31312102	1	STUD BOLT M10X40X24X12	
31423084	31423084	1	SPRING WASHER 8,4	
31423105	31423105	1	SPRING WASHER 10,5	
35111047	35111047	1	SEEGER RING I 47 DIN 472	
35211060	35211060	1	SEEGER RING E 6 UNI 7434	
37111250	37111250	1	BEARING	
37111253	37111253	1	BEARING 6005 (25X47X12)	
38111400	38111400	1	O-RING (14,00X1,78)	
38213002	38213002	1	OIL SEAL 30X40X7	
56148184	56148184	1	RING	
56156827	56156827	1	STOP	
56443871	56443871	1	ROD	
56448183	56448183	1	SPACER	
56448196	56448196	1	COUPLING	
58043855	58043855	1	GASKET	
58043874	58043874	1	SPRING	
59048199	59048199	1	DIFFERENTIAL GEAR	
52448187N	52448187N	1	AXLE SHAFT	
52448188N	52448188N	1	AXLE SHAFT	
53243851N	53243851N	1	HUB	
56156219Z	56156219Z	1	LEVER	
56156828Z	56156828Z	1	STOP	
58043881N	58043881N	1	SPRING	



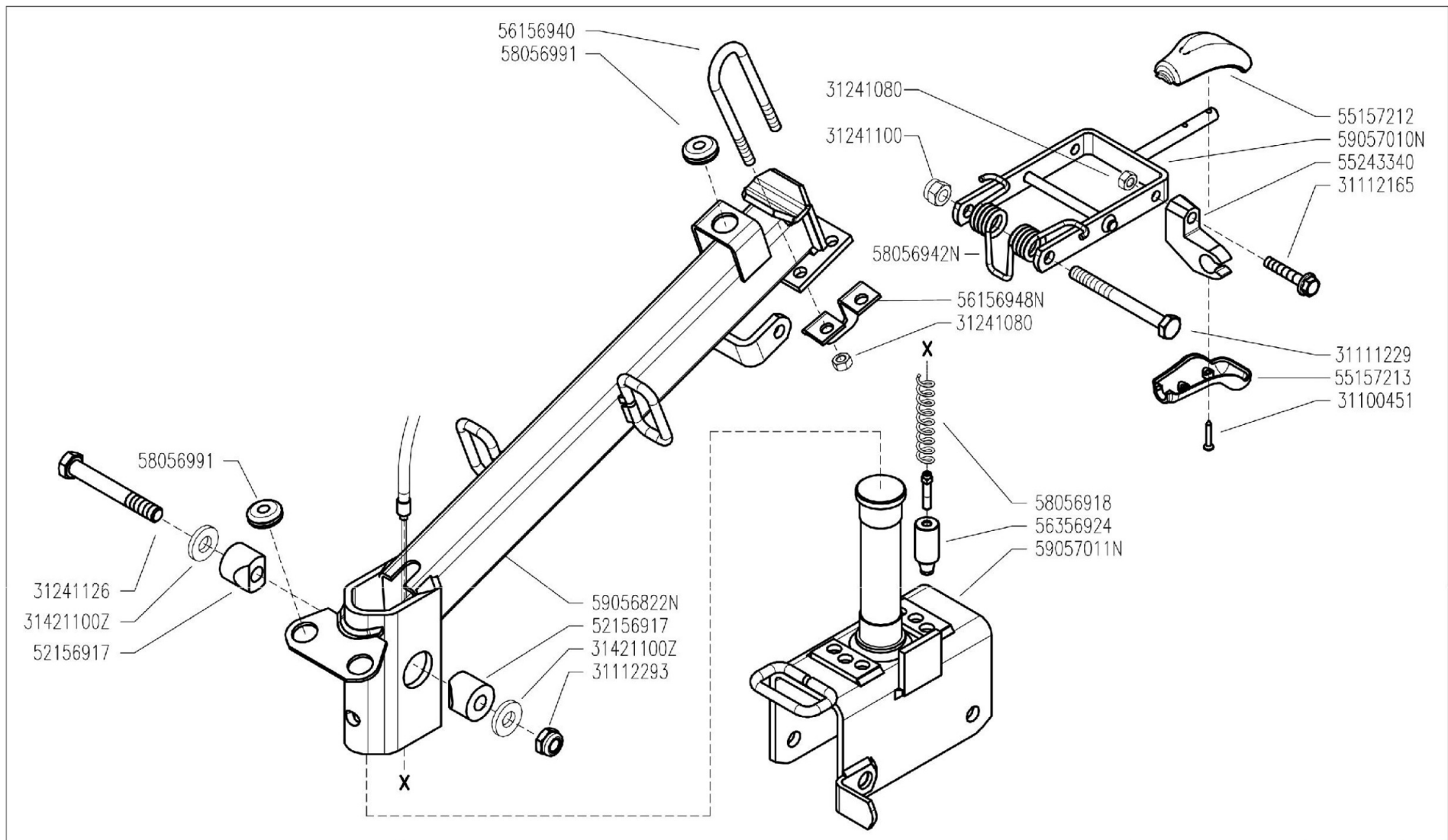


	<p>300 serie PS PowerSafe®</p>	<p>STEERING COLUMN COLUMNA</p>	<p>PIANTONE (340-346)</p>	<p>PLANTON LENKSÄULE</p>	<p>DALLA MACCHINA DE LA MAQUINA FROM THE MACHINE AB DER MASCHINE</p>	<p>N.</p>	<p>Rev. J03 0 05/2009</p>
---	------------------------------------	------------------------------------	-------------------------------	------------------------------	--	-----------	-----------------------------------

DITE.ECS - Scala 1:4

Pos.	Id	Q.ty	Description	Note
31100451	31100451	1	SCREW 3,5X25	
31111229	31111229	1	SCREW TE M10X110 UNI 5737 8G	
31112165	31112165	1	SCREW TE C/F M8X35 DIN 6921 8G	
31112293	31112293	1	SCREW TE M12X80 UNI 5737	
31241080	31241080	1	HEXAGON SELFLOCK NUT M8	
31241100	31241100	1	SELFLOCK HEXAGON NUT M10	
31241126	31241126	1	SELFLOCK NUT M12	
52156917	52156917	1	WEDGE	
55157212	55157212	1	GRIP	
55157213	55157213	1	GRIP	
55243340	55243340	1	SUPPORT	
56156940	56156940	1	U BOLT	
56356924	56356924	1	FERRULE	
58056918	58056918	1	SPRING	
58056991	58056991	1	CABLE GLAND 90/200/30	
31421100Z	31421100Z	1	CUP SPRING 25X12,2X1,5 D2093	
56156948N	56156948N	1	STOP	
58056942N	58056942N	1	SPRING	
59056822N	59056822N	1	COLUMN	
59057010N	59057010N	1	LEVER	
59057011N	59057011N	1	CONNECTION	



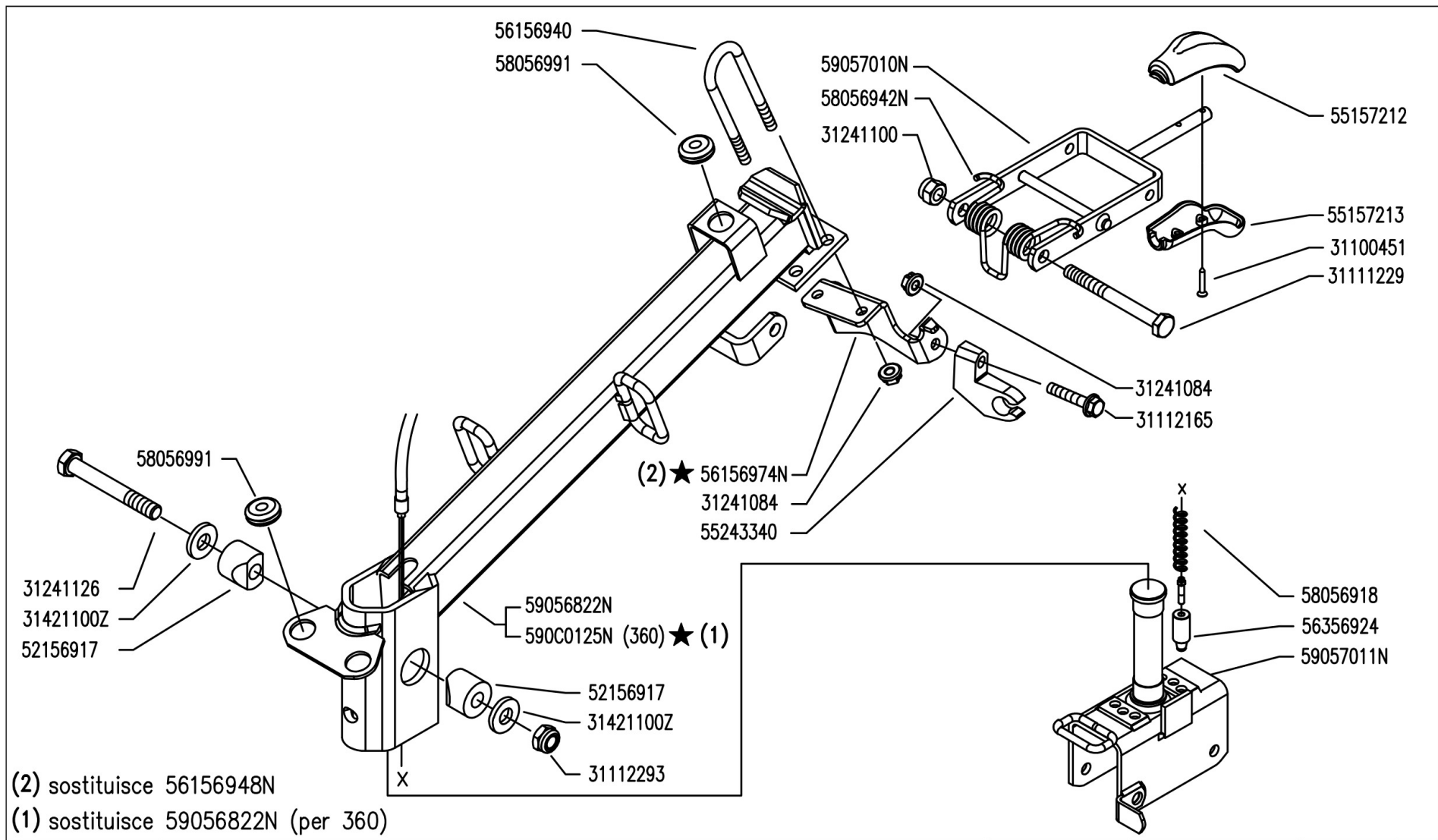


	300 serie PS PowerSafe®	STEERING COLUMN COLUMNA	PIANTONE (340-346-360 ★)	PLANTON LENKSÄULE	DALLA MACCHINA DE LA MAQUINA FROM THE MACHINE AB DER MASCHINE ★ N.	AGGIORNAMENTO	J03	Rev. 1
						APLAZAMIENTO		11/2010
						REVISION		
						ANPASSUNG		

DITEBCS - Scala 1:4

Pos.	Id	Q.ty	Description	Note
31100451	31100451	1	SCREW 3,5X25	
31111229	31111229	1	SCREW TE M10X110 UNI 5737 8G	
31112165	31112165	1	SCREW TE C/F M8X35 DIN 6921 8G	
31112293	31112293	1	SCREW TE M12X80 UNI 5737	
31241080	31241080	1	HEXAGON SELFLOCK NUT M8	
31241100	31241100	1	SELFLOCK HEXAGON NUT M10	
31241126	31241126	1	SELFLOCK NUT M12	
52156917	52156917	1	WEDGE	
55157212	55157212	1	GRIP	
55157213	55157213	1	GRIP	
55243340	55243340	1	SUPPORT	
56156940	56156940	1	U BOLT	
56356924	56356924	1	FERRULE	
58056918	58056918	1	SPRING	
58056991	58056991	1	CABLE GLAND 90/200/30	
31421100Z	31421100Z	1	CUP SPRING 25X12,2X1,5 D2093	
56156948N	56156948N	1	STOP	
58056942N	58056942N	1	SPRING	
59056822N	59056822N	1	COLUMN	
59057010N	59057010N	1	LEVER	
59057011N	59057011N	1	CONNECTION	

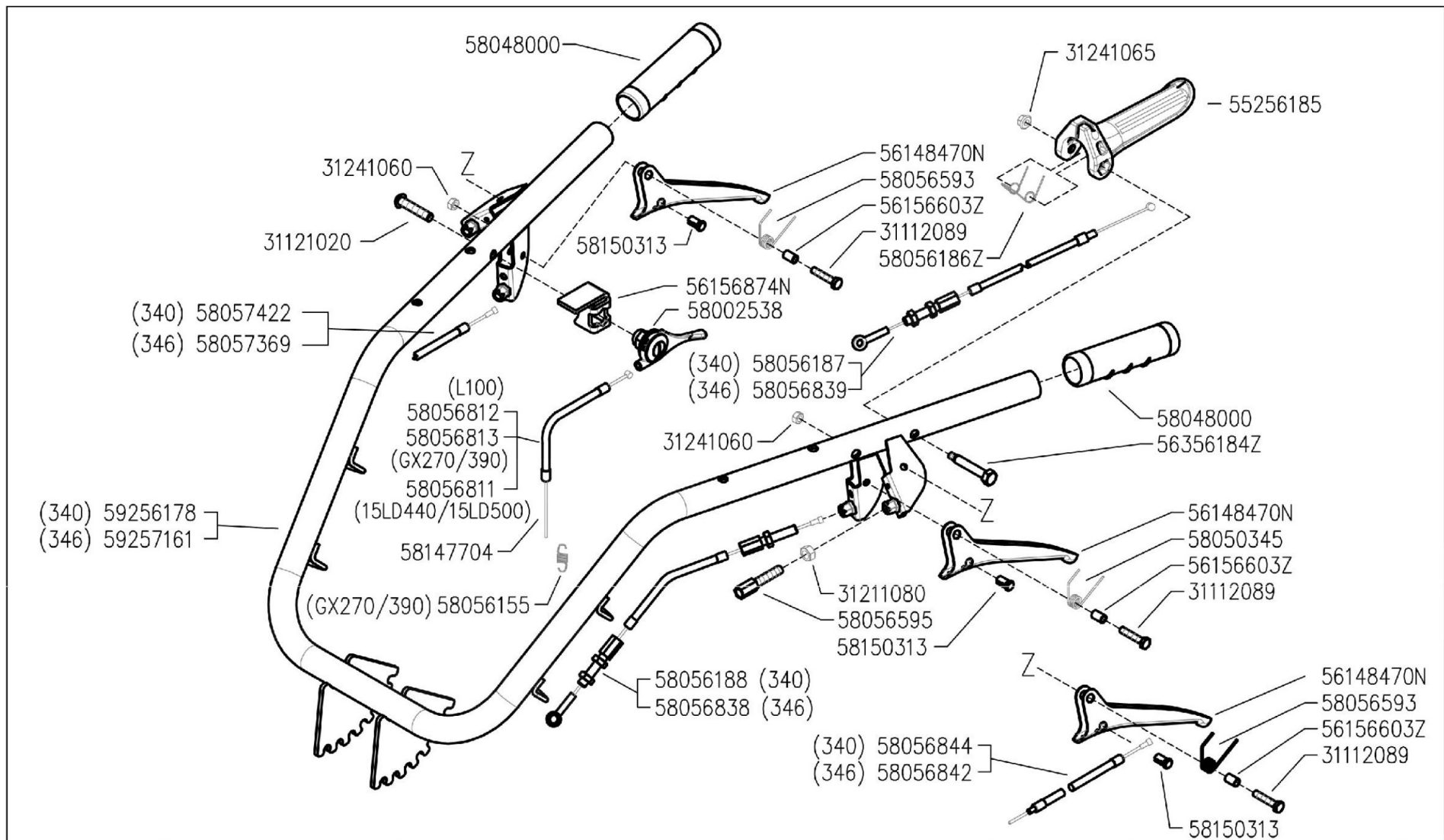




	300 serie PS PowerSafe®	STEERING COLUMN COLUMNA	PIANTONE (340-346-360)	PLANTON LENKSÄULE	DALLA MACCHINA DE LA MAQUINA FROM THE MACHINE AB DER MASCHINE ★ N.	_____	J03	Rev. 2
						901936		

Pos.	Id	Q.ty	Description	Note
31100451	31100451	1	SCREW 3,5X25	
31111229	31111229	1	SCREW TE M10X110 UNI 5737 8G	
31112165	31112165	1	SCREW TE C/F M8X35 DIN 6921 8G	
31112293	31112293	1	SCREW TE M12X80 UNI 5737	
31241084	31241084	1	SELFLOCK NUT M8 6S	
31241100	31241100	1	SELFLOCK HEXAGON NUT M10	
31241126	31241126	1	SELFLOCK NUT M12	
55157212	55157212	1	GRIP	
55157213	55157213	1	GRIP	
55243340	55243340	1	SUPPORT	
56156940	56156940	1	U BOLT	
56356924	56356924	1	FERRULE	
58056918	58056918	1	SPRING	
58056991	58056991	1	CABLE GLAND 90/200/30	
31421100Z	31421100Z	1	CUP SPRING 25X12,2X1,5 D2093	
56156974N	56156974N	1	SUPPORT	
58056942N	58056942N	1	SPRING	
59056822N	59056822N	1	COLUMN	
59057010N	59057010N	1	LEVER	
59057011N	59057011N	1	CONNECTION	
590C0125N	590C0125N	1	COLUMN	





	300 serie PS PowerSafe®	HANDLEBAR MANILLAR	MANUBRIO (340-346)	MANCHERON LINCHER	DALLA MACCHINA DE LA MAQUINA FROM THE MACHINE AB DER MASCHINE	<input type="checkbox"/>	K03	Rev. 0
						N.		05/2009

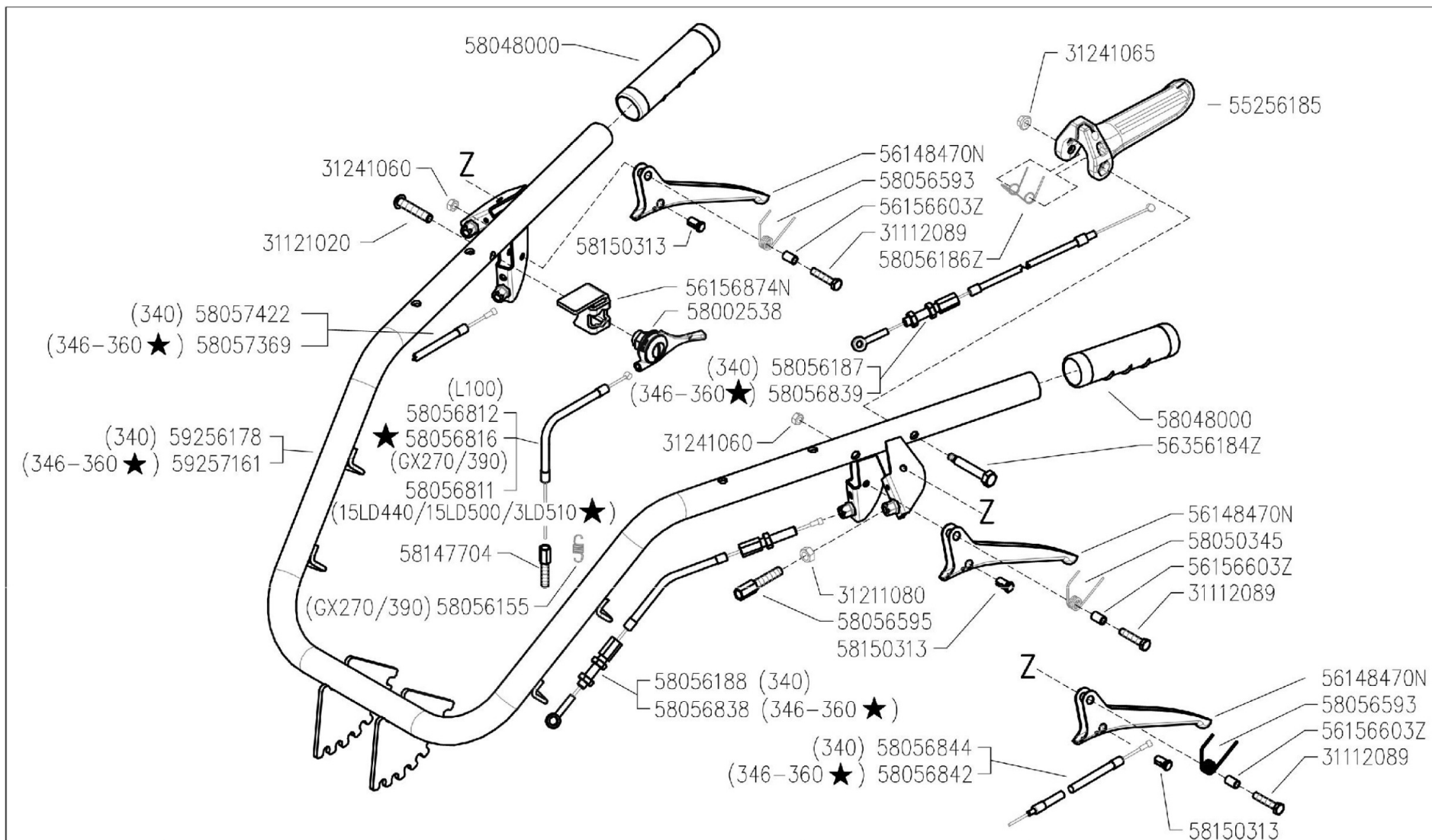
DITE.FCS - Scala 1:5

Pos.	Id	Q.ty	Description	Note
31112089	31112089	1	SCREW TE M6X25 UNI 5739 8G	
31121020	31121020	1	SCREW TBCEI M8X40 ISO7380 10K Z	
31211080	31211080	1	NUT M8	
31241060	31241060	1	HEXAGON SELFLOCK NUT M6	
31241065	31241065	1	SELFLOCK NUT M6	
55256185	55256185	1	LEVER	
58002538	58002538	1	ACCELERATOR	
58048000	58048000	1	KNOB D=27	
58050345	58050345	1	SPRING	
58056155	58056155	1	RESTORING SPRING	
58056187	58056187	1	LINE L=1725	
58056188	58056188	1	LINE L=1640	
58056593	58056593	1	SPRING	
58056595	58056595	1	ADJUSTING SCREW M8	
58056811	58056811	1	LINE AND SHEATH L=1850	
58056812	58056812	1	LINE AND SHEATH L=1680	
58056813	58056813	1	LINE AND SHEATH L=2035	
58056838	58056838	1	LINE L=1750	
58056839	58056839	1	LINE L=1810	
58056842	58056842	1	LINE AND SHEATH L=1530	
58056844	58056844	1	LINE AND SHEATH L=1350	
58057369	58057369	1	TRANSMISSION	
58057422	58057422	1	COLUMN UNLOCKING TRANSMISSION	
58147704	58147704	1	ADJUSTING SCREW	
58150313	58150313	1	CABLE CLAMP	
59256178	59256178	1	HANDLE BAR	
59257161	59257161	1	HANDLE BAR	
56148470N	56148470N	1	LEVER	
56156603Z	56156603Z	1	SPACER	



Pos.	Id	Q.ty	Description	Note
56156874N	56156874N	1	PANEL	
56356184Z	56356184Z	1	LEVER PIN	
58056186Z	58056186Z	1	SPRING	





300 serie PS
PowerSafe®

HANDLEBAR
MANILLAR

MANUBRIO
(340-346-360 ★)

MANCHERON
LINCHER

DALLA MACCHINA
DE LA MAQUINA
DE LA MACHINA
FROM THE MACHINE
AB DER MASCHINE

★ N.

AGGIORNAMENTO
APLAZAMIENTO
MISE A JOUR
REVISION
ANPASSUNG

K03 1

11/2010

Rev.

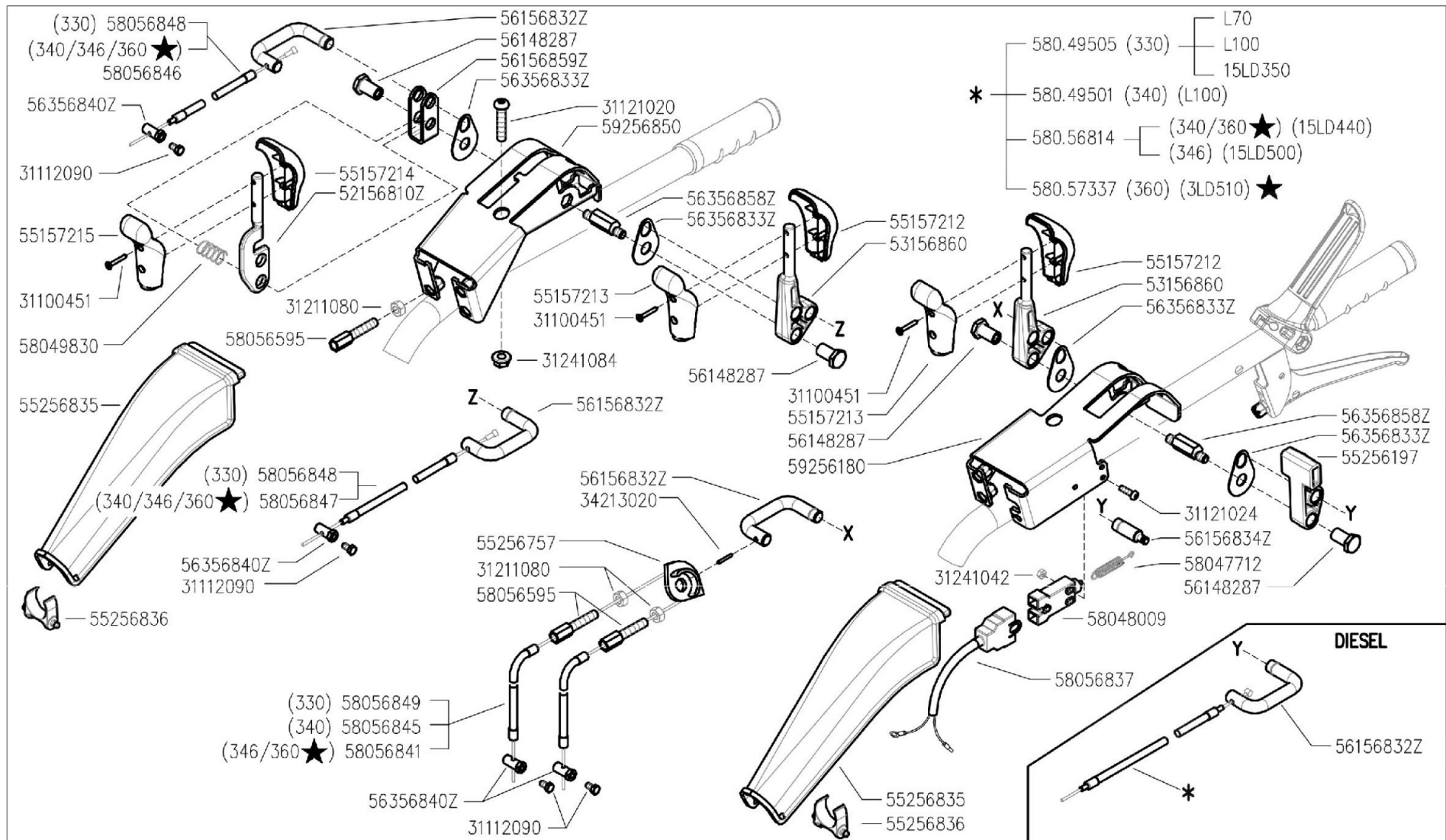


Pos.	Id	Q.ty	Description	Note
31112089	31112089	1	SCREW TE M6X25 UNI 5739 8G	
31121020	31121020	1	SCREW TBCEI M8X40 ISO7380 10K Z	
31211080	31211080	1	NUT M8	
31241060	31241060	1	HEXAGON SELFLOCK NUT M6	
31241065	31241065	1	SELFLOCK NUT M6	
55256185	55256185	1	LEVER	
58002538	58002538	1	ACCELERATOR	
58048000	58048000	1	KNOB D=27	
58050345	58050345	1	SPRING	
58056155	58056155	1	RESTORING SPRING	
58056187	58056187	1	LINE L=1725	
58056188	58056188	1	LINE L=1640	
58056593	58056593	1	SPRING	
58056595	58056595	1	ADJUSTING SCREW M8	
58056811	58056811	1	LINE AND SHEATH L=1850	
58056812	58056812	1	LINE AND SHEATH L=1680	
58056816	58056816	1	LINE AND SHEATH L=2135	
58056838	58056838	1	LINE L=1750	
58056839	58056839	1	LINE L=1810	
58056842	58056842	1	LINE AND SHEATH L=1530	
58056844	58056844	1	LINE AND SHEATH L=1350	
58057369	58057369	1	TRANSMISSION	
58057422	58057422	1	COLUMN UNLOCKING TRANSMISSION	
58147704	58147704	1	ADJUSTING SCREW	
58150313	58150313	1	CABLE CLAMP	
59256178	59256178	1	HANDLE BAR	
59257161	59257161	1	HANDLE BAR	
56148470N	56148470N	1	LEVER	
56156603Z	56156603Z	1	SPACER	



Pos.	Id	Q.ty	Description	Note
56156874N	56156874N	1	PANEL	
56356184Z	56356184Z	1	LEVER PIN	
58056186Z	58056186Z	1	SPRING	





300 serie PS
PowerSafe®

HANDLEBAR CONTROLS
CONTROLES EN EL MANILLAR

COMANDI SUL MANUBRIO
(330-340-346-360★)

CONTROLES SUR LE MANCHERON
KONTROLLEN AM LINCHER

DALLA MACCHINA
DE LA MAQUINA
FROM THE MACHINE
AB DER MASCHINE

★ N.

AGGIORNAMENTO
APLAZAMIENTO
MISE A JOUR
REVISION
ANPASSUNG

L03

11/2010

Rev.

1
DITE.BCS - Scala 1:5

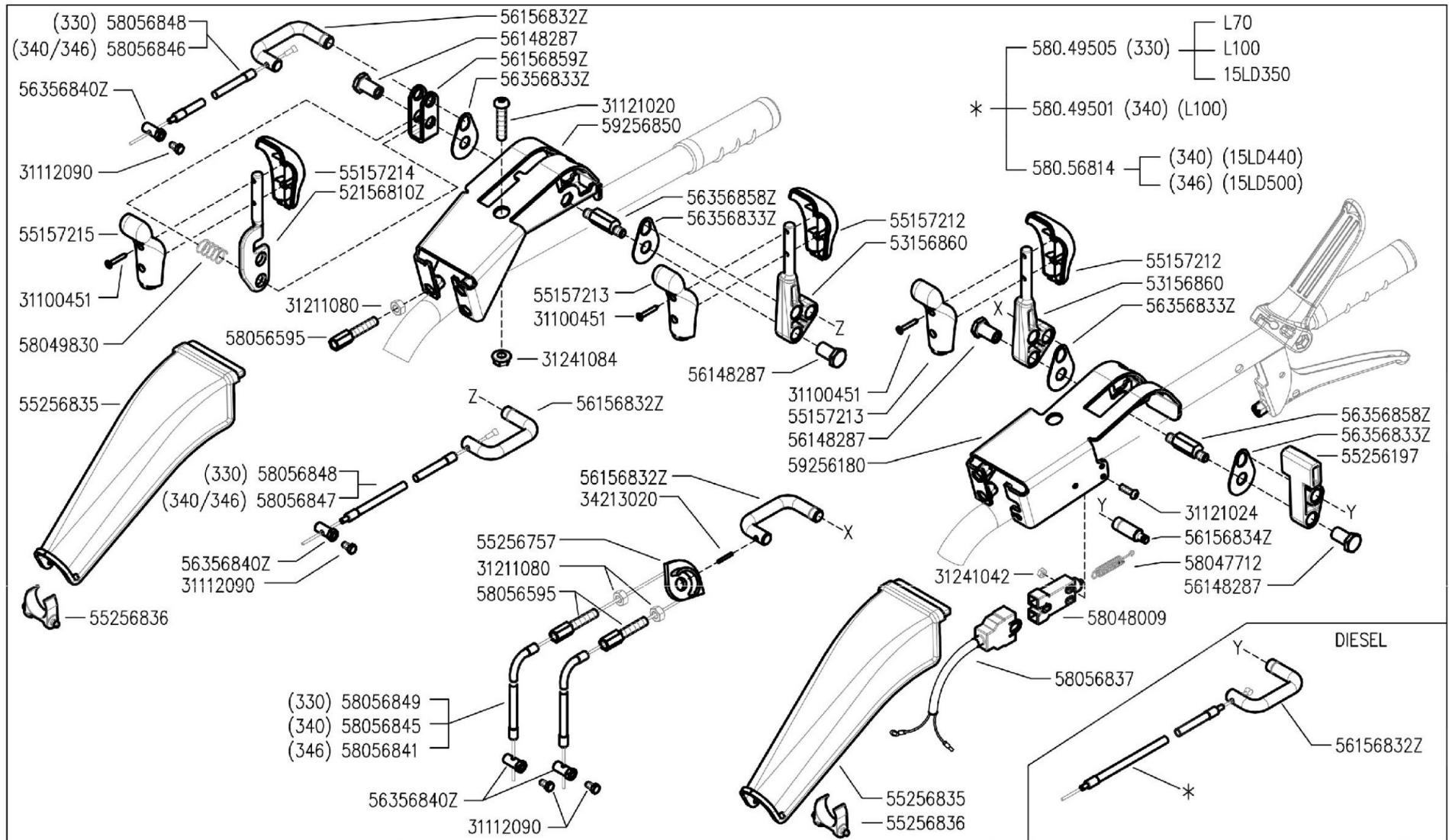


Pos.	Id	Q.ty	Description	Note
31100451	31100451	1	SCREW 3,5X25	
31112090	31112090	1	SCREW TE M6X16 UNI 5739 8G	
31121020	31121020	1	SCREW TBCEI M8X40 ISO7380 10K Z	
31121024	31121024	1	SCREW TBCEI FL.M4X25	
31211080	31211080	1	NUT M8	
31241042	31241042	1	SELFLOCK NUT M4 FL.6S	
31241084	31241084	1	SELFLOCK NUT M8 6S	
34213020	34213020	1	ROLL PIN	
53156860	53156860	1	COMMAND LEVER	
55157212	55157212	1	GRIP	
55157213	55157213	1	GRIP	
55157214	55157214	1	GRIP	
55157215	55157215	1	GRIP	
55256197	55256197	1	MOTOR STOP LEVER	
55256757	55256757	1	PULLEY	
55256835	55256835	1	PROTECTION COVER	
55256836	55256836	1	SUPPORT, ELECTRICAL BOX	
56148287	56148287	1	STUD BOLT	
58047712	58047712	1	SPRING	
58048009	58048009	1	ENGINE STOP SWITCH	
58049501	58049501	1	LINE AND SHEATH (L=1790)	
58049505	58049505	1	LINE AND SHEATH (L=1610)	
58049830	58049830	1	SPRING	
58056595	58056595	1	ADJUSTING SCREW M8	
58056814	58056814	1	LINE AND SHEATH L=1610	
58056837	58056837	1	WIRING	
58056841	58056841	1	LINE AND SHEATH L=1300	
58056845	58056845	1	LINE AND SHEATH L=1200	
58056846	58056846	1	LINE AND SHEATH L=1190	



Pos.	Id	Q.ty	Description	Note
58056847	58056847	1	LINE AND SHEATH L=1100	
58056848	58056848	1	LINE AND SHEATH L=930	
58056849	58056849	1	LINE AND SHEATH L=1080	
58057337	58057337	1	LINE AND SHEATH (L=1680)	
59256180	59256180	1	SUPPORT	
59256850	59256850	1	SUPPORT	
52156810Z	52156810Z	1	COMMAND LEVER	
56156832Z	56156832Z	1	U BOLT	
56156834Z	56156834Z	1	INDEXING BOLT	
56156859Z	56156859Z	1	FORK	
56356833Z	56356833Z	1	SMALL PLATE	
56356840Z	56356840Z	1	CLAMPING SCREW	
56356858Z	56356858Z	1	PIN	





300 serie PS
PowerSafe®

HANDLEBAR CONTROLS
CONTROLES EN EL MANILLAR

COMANDI SUL MANUBRIO
(330-340-346)

CONTROLES SUR LE MANCHERON
KONTROLLEN AM LINCHER

DALLA MACCHINA
DE LA MAQUINA
FROM THE MACHINE
AB DER MASCHINE

N.

L03 0

05/2009

Rev.

DITE.FCS - Scala 1:3

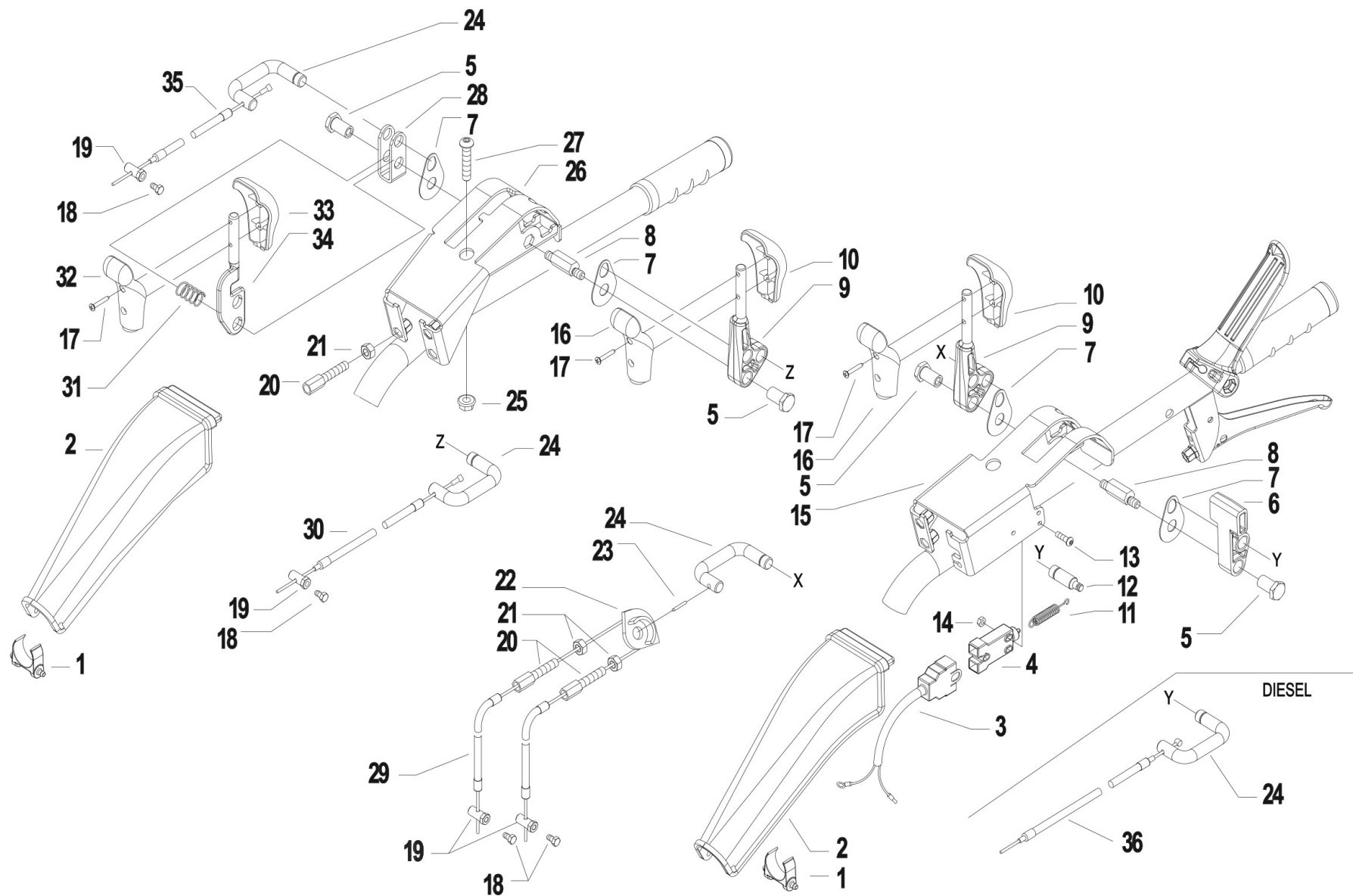


Pos.	Id	Q.ty	Description	Note
31100451	31100451	1	SCREW 3,5X25	
31112090	31112090	1	SCREW TE M6X16 UNI 5739 8G	
31121020	31121020	1	SCREW TBCEI M8X40 ISO7380 10K Z	
31121024	31121024	1	SCREW TBCEI FL.M4X25	
31211080	31211080	1	NUT M8	
31241042	31241042	1	SELFLOCK NUT M4 FL.6S	
31241084	31241084	1	SELFLOCK NUT M8 6S	
34213020	34213020	1	ROLL PIN	
53156860	53156860	1	COMMAND LEVER	
55157212	55157212	1	GRIP	
55157213	55157213	1	GRIP	
55157214	55157214	1	GRIP	
55157215	55157215	1	GRIP	
55256197	55256197	1	MOTOR STOP LEVER	
55256757	55256757	1	PULLEY	
55256835	55256835	1	PROTECTION COVER	
55256836	55256836	1	SUPPORT, ELECTRICAL BOX	
56148287	56148287	1	STUD BOLT	
58047712	58047712	1	SPRING	
58048009	58048009	1	ENGINE STOP SWITCH	
58049501	58049501	1	LINE AND SHEATH (L=1790)	
58049505	58049505	1	LINE AND SHEATH (L=1610)	
58049830	58049830	1	SPRING	
58056595	58056595	1	ADJUSTING SCREW M8	
58056814	58056814	1	LINE AND SHEATH L=1610	
58056837	58056837	1	WIRING	
58056841	58056841	1	LINE AND SHEATH L=1300	
58056845	58056845	1	LINE AND SHEATH L=1200	
58056846	58056846	1	LINE AND SHEATH L=1190	



Pos.	Id	Q.ty	Description	Note
58056847	58056847	1	LINE AND SHEATH L=1100	
58056848	58056848	1	LINE AND SHEATH L=930	
58056849	58056849	1	LINE AND SHEATH L=1080	
59256180	59256180	1	SUPPORT	
59256850	59256850	1	SUPPORT	
52156810Z	52156810Z	1	COMMAND LEVER	
56156832Z	56156832Z	1	U BOLT	
56156834Z	56156834Z	1	INDEXING BOLT	
56156859Z	56156859Z	1	FORK	
56356833Z	56356833Z	1	SMALL PLATE	
56356840Z	56356840Z	1	CLAMPING SCREW	
56356858Z	56356858Z	1	PIN	



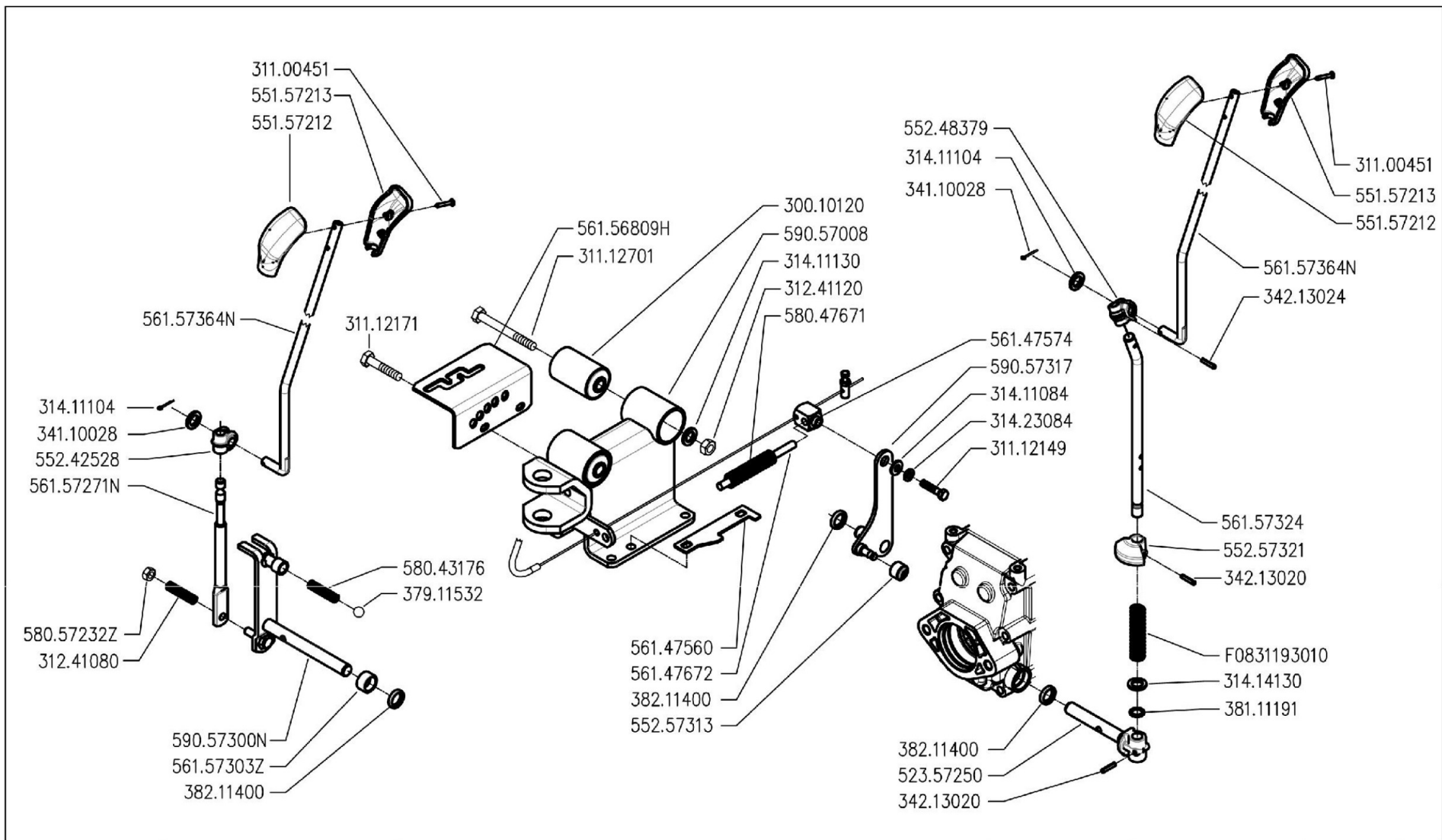



Pos.	Id	Q.ty	Description	Note
1	55256836	1	SUPPORT, ELECTRICAL BOX	
2	55256835	1	PROTECTION COVER	
3	58056837	1	WIRING	
4	58048009	1	ENGINE STOP SWITCH	
5	56148287	1	STUD BOLT	
6	55256197	1	MOTOR STOP LEVER	
7	56356833Z	1	SMALL PLATE	
8	56356858Z	1	PIN	
9	53156860	1	COMMAND LEVER	
10	55157212	1	GRIP	
11	58047712	1	SPRING	
12	56156834Z	1	INDEXING BOLT	
13	31121024	1	SCREW TBCEI FL.M4X25	
14	31241042	1	SELFLOCK NUT M4 FL.6S	
15	59256180	1	SUPPORT	
16	55157213	1	GRIP	
17	31100451	1	SCREW 3,5X25	
18	31112090	1	SCREW TE M6X16 UNI 5739 8G	
19	56356840Z	1	CLAMPING SCREW	
20	58056595	1	ADJUSTING SCREW M8	
21	31211080	1	NUT M8	
22	55256757	1	PULLEY	
23	34213020	1	ROLL PIN	
24	56156832Z	1	U BOLT	
25	31241084	1	SELFLOCK NUT M8 6S	
26	59256850	1	SUPPORT	
27	31121020	1	SCREW TBCEI M8X40 ISO7380 10K Z	
28	56156859Z	1	FORK	
29	58056841	1	LINE AND SHEATH L=1300	For models 346/360 PS Series



Pos.	Id	Q.ty	Description	Note
29	58056845	1	LINE AND SHEATH L=1200	For the 340 model series PS
29	58056849	1	LINE AND SHEATH L=1080	For models 330/338 PS Series
30	58056847	1	LINE AND SHEATH L=1100	For models 340/346/360 PS Series
30	58056848	1	LINE AND SHEATH L=930	For models 330/338 PS Series
31	58049830	1	SPRING	
32	55157215	1	GRIP	
33	55157214	1	GRIP	
34	52156810Z	1	COMMAND LEVER	
35	58056846	1	LINE AND SHEATH L=1190	For models 340/346/360 PS Series
35	58056848	1	LINE AND SHEATH L=930	For models 330/338 PS Series
36	58049501	1	LINE AND SHEATH (L=1790)	For model series 340 PS engine with L100
36	58049505	1	LINE AND SHEATH (L=1610)	For models 330/338 series engines with PS L70/L100/15LD350
36	58056814	1	LINE AND SHEATH L=1610	For models 340/360 series PS engine 15LD440. For model series 346 PS with engine15LD500
36	58057337	1	LINE AND SHEATH (L=1680)	For Model 360 series PS engine 3LD510





	300 serie PS PowerSafe®	CONTROLS MANDOS	COMANDI (340-346)	COMMANDES ANTRIEBE	DALLA MACCHINA DE LA MAQUINA FROM THE MACHINE AB DER MASCHINE	<input type="checkbox"/>	M03	Rev. 0
						N.		05/2009

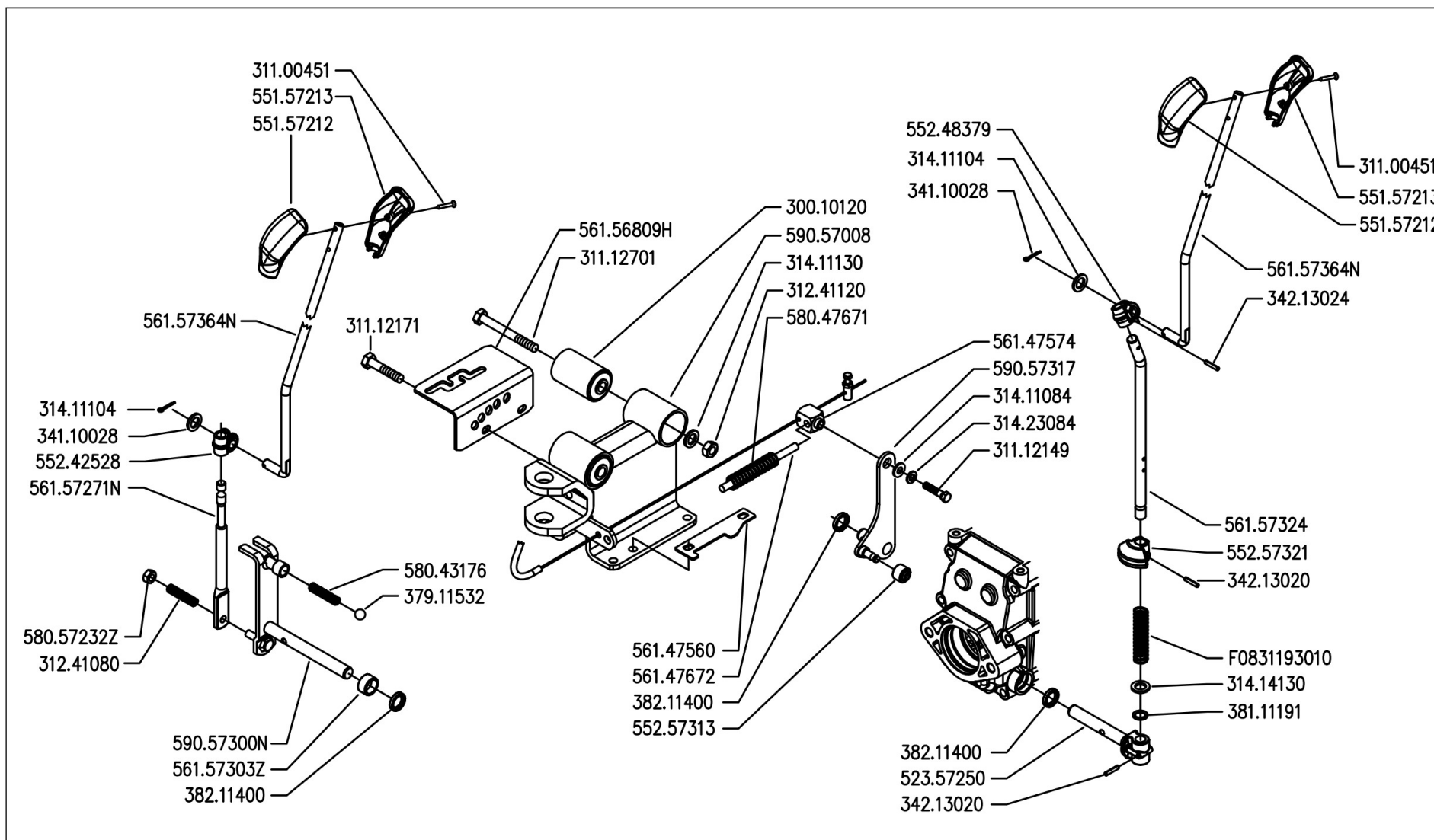
DITE.FCS - Scala 1:6

Pos.	Id	Q.ty	Description	Note
30010120	30010120	1	SILENT-BLOCK 12X40X58X66	
31100451	31100451	1	SCREW 3,5X25	
31112149	31112149	1	SCREW TE M8X12 UNI 5739 8G	
31112171	31112171	1	SCREW TE C/F M8X16 DIN 6921	
31112701	31112701	1	SCREW TE M12X100 UNI 5737	
31241080	31241080	1	HEXAGON SELFLOCK NUT M8	
31241120	31241120	1	SELFLOCK NUT M12	
31411084	31411084	1	WASHER 8,4x17	
31411104	31411104	1	WASHER 10,5x18	
31411130	31411130	1	WASHER 13x24	
31414130	31414130	1	WASHER 13	
31423084	31423084	1	SPRING WASHER 8,4	
34110028	34110028	1	SPLIT PIN A3X15 UNI 1336	
34213020	34213020	1	ROLL PIN	
34213024	34213024	1	ROLL PIN	
37911532	37911532	1	BALL 15/32	
38111191	38111191	1	O-RING 115 (11,91X2,62)	
38211400	38211400	1	OIL SEAL 14X22X4	
52357250	52357250	1	PIN	
55157212	55157212	1	GRIP	
55157213	55157213	1	GRIP	
55242528	55242528	1	JOINT	
55248379	55248379	1	PTO JOINT	
55257313	55257313	1	ROLLER	
55257321	55257321	1	STOP	
56147560	56147560	1	STOP	
56147574	56147574	1	INVERTER BLOCK	
56147672	56147672	1	GUIDE PIN	
56157324	56157324	1	PTO LEVER	



Pos.	Id	Q.ty	Description	Note
58043176	58043176	1	SPRING	
58047671	58047671	1	SPRING	
59057008	59057008	1	SUPPORT	
59057317	59057317	1	LEVER	
56156809H	56156809H	1	GEAR SELECTOR	
56157271N	56157271N	1	COMMAND LEVER	
56157303Z	56157303Z	1	SPACER	
56157364N	56157364N	1	PULL ROD	
58057232Z	58057232Z	1	SPRING	
59057300N	59057300N	1	GEAR LEVER	
F0831193010	F0831193010	1	SPRING DM.15X70	





300 serie PS
PowerSafe®

CONTROLS
MANDOS

COMANDI
(340-346-360 ★)

COMMANDES
ANTRIEBE

DALLA MACCHINA
DE LA MAQUINA
FROM THE MACHINE
AB DER MASCHINE

★ N.

AGGIORNAMENTO
APLAZAMIENTO
MISE A JOUR
REVISION
ANPASSUNG

M03 1

11/2010

Rev.

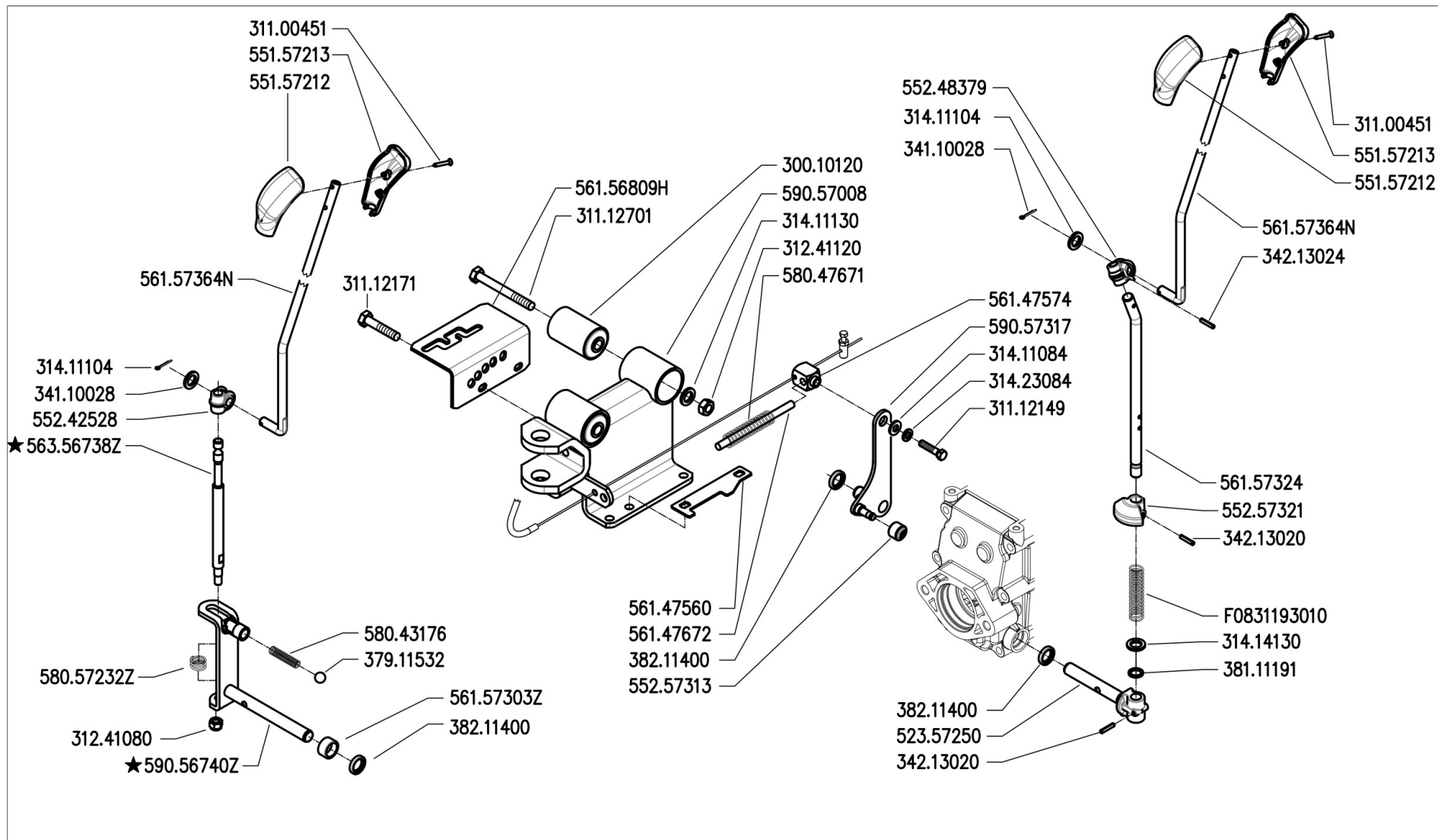


Pos.	Id	Q.ty	Description	Note
30010120	30010120	1	SILENT-BLOCK 12X40X58X66	
31100451	31100451	1	SCREW 3,5X25	
31112149	31112149	1	SCREW TE M8X12 UNI 5739 8G	
31112171	31112171	1	SCREW TE C/F M8X16 DIN 6921	
31112701	31112701	1	SCREW TE M12X100 UNI 5737	
31241080	31241080	1	HEXAGON SELFLOCK NUT M8	
31241120	31241120	1	SELFLOCK NUT M12	
31411084	31411084	1	WASHER 8,4x17	
31411104	31411104	1	WASHER 10,5x18	
31411130	31411130	1	WASHER 13x24	
31414130	31414130	1	WASHER 13	
31423084	31423084	1	SPRING WASHER 8,4	
34110028	34110028	1	SPLIT PIN A3X15 UNI 1336	
34213020	34213020	1	ROLL PIN	
34213024	34213024	1	ROLL PIN	
37911532	37911532	1	BALL 15/32	
38111191	38111191	1	O-RING 115 (11,91X2,62)	
38211400	38211400	1	OIL SEAL 14X22X4	
52357250	52357250	1	PIN	
55157212	55157212	1	GRIP	
55157213	55157213	1	GRIP	
55242528	55242528	1	JOINT	
55248379	55248379	1	PTO JOINT	
55257313	55257313	1	ROLLER	
55257321	55257321	1	STOP	
56147560	56147560	1	STOP	
56147574	56147574	1	INVERTER BLOCK	
56147672	56147672	1	GUIDE PIN	
56157324	56157324	1	PTO LEVER	



Pos.	Id	Q.ty	Description	Note
58043176	58043176	1	SPRING	
58047671	58047671	1	SPRING	
59057008	59057008	1	SUPPORT	
59057317	59057317	1	LEVER	
56156809H	56156809H	1	GEAR SELECTOR	
56157271N	56157271N	1	COMMAND LEVER	
56157303Z	56157303Z	1	SPACER	
56157364N	56157364N	1	PULL ROD	
58057232Z	58057232Z	1	SPRING	
59057300N	59057300N	1	GEAR LEVER	
F0831193010	F0831193010	1	SPRING DM.15X70	





300 serie PS
PowerSafe®

CONTROLS
MANDOS

COMANDI
(340-346-360)

COMMANDES
ANTRIEBE

DALLA MACCHINA
DE LA MAQUINA
DE LA MAQUINA
FROM THE MACHINE
AB DER MASCHINE

★ N.

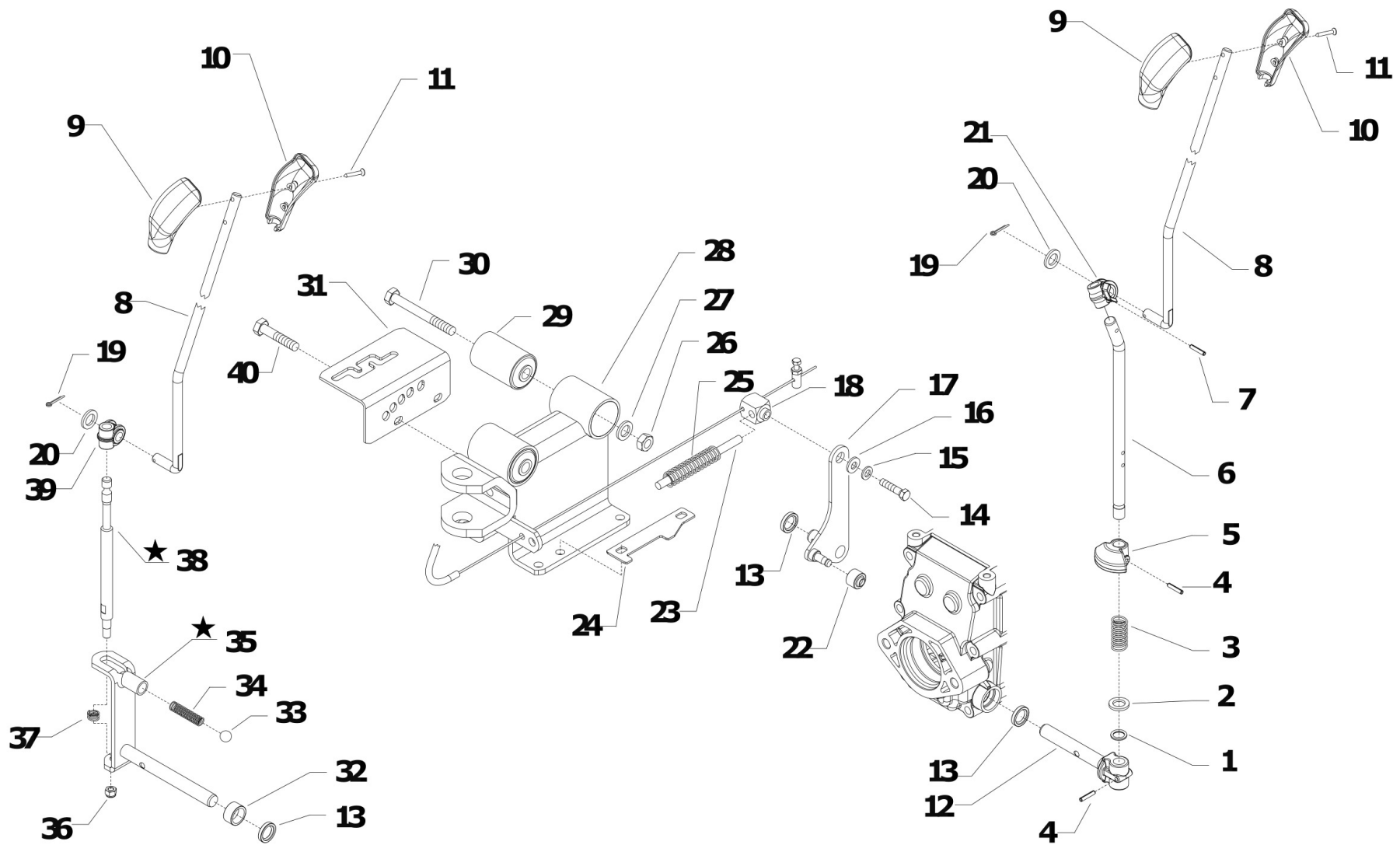
AGGIORNAMENTO
APLAZAMIENTO
MISE A JOUR
REVISION
ANPASSUNG

M03 2

12/2012

Rev.





 = info - stop 2 sec.
 ★ = new part

Pos.	Id	Q.ty	Description	Note
1	38111191		O-RING 115 (11,91X2,62)	
2	31414130		WASHER 13	
3	F0831193010		SPRING DM.15X70	
4	34213020		ROLL PIN	
5	55257321		STOP	
6	56157324		PTO LEVER	
7	34213024		ROLL PIN	
8	56157364N		PULL ROD	
9	55157212		GRIP	
10	55157213		GRIP	
11	31100451		SCREW 3,5X25	
12	52357250		PIN	
13	38211400		OIL SEAL 14X22X4	
14	31112149		SCREW TE M8X12 UNI 5739 8G	
15	31423084		SPRING WASHER 8,4	
16	31411084		WASHER 8,4x17	
17	59057317		LEVER	
18	56147574		INVERTER BLOCK	
19	34110028		SPLIT PIN A3X15 UNI 1336	
20	31411104		WASHER 10,5x18	
21	55248379		PTO JOINT	
22	55257313		ROLLER	
23	56147672		GUIDE PIN	
24	56147560		STOP	
25	58047671		SPRING	
26	31241120		SELFLOCK NUT M12	
27	31411130		WASHER 13x24	
28	59057008		SUPPORT	
29	30010120		SILENT-BLOCK 12X40X58X66	



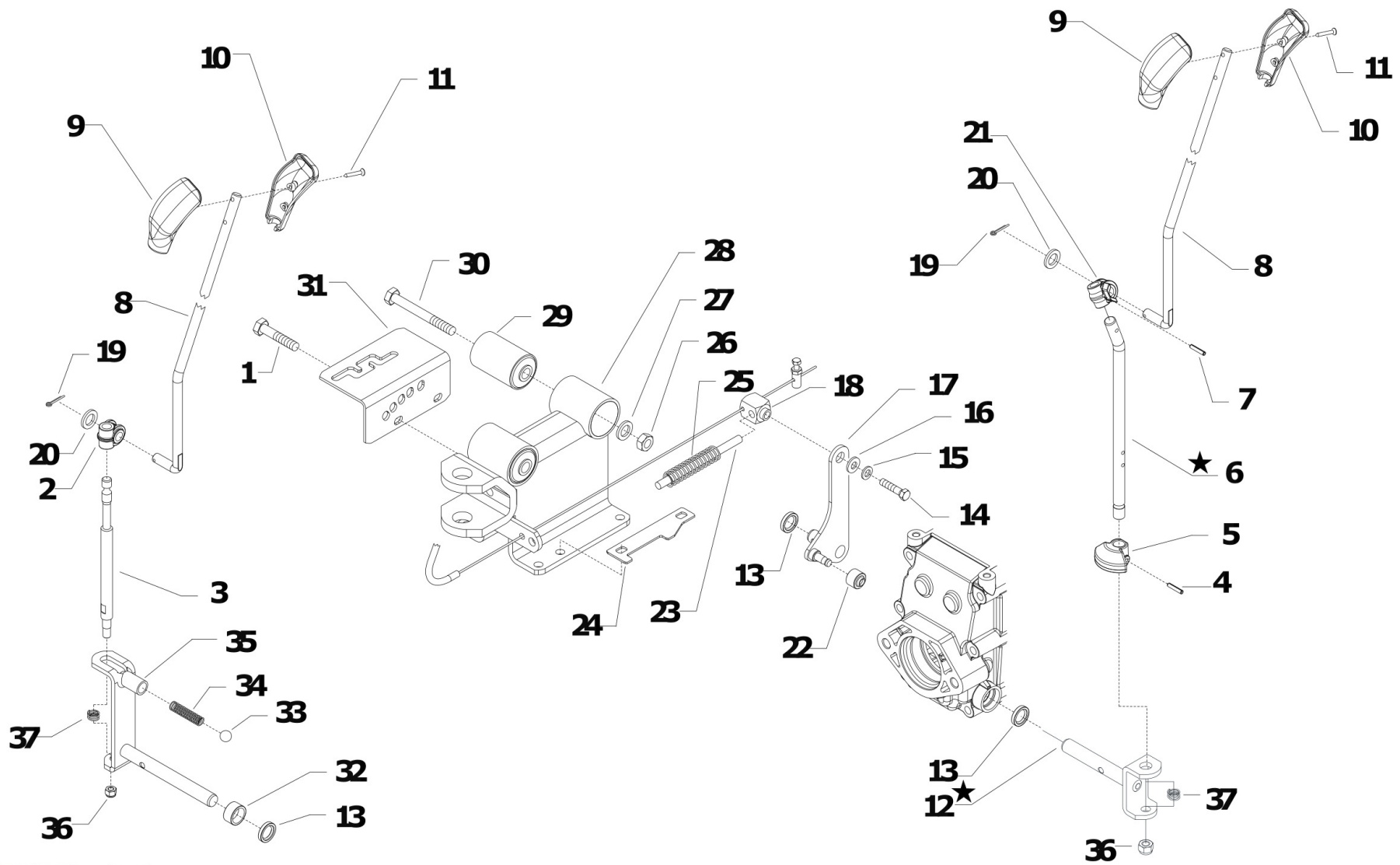
Pos.	Id	Q.ty	Description	Note
30	31112701		SCREW TE M12X100 UNI 5737	
31	56156809H		GEAR SELECTOR	
32	56157303Z		SPACER	
33	37911532		BALL 15/32	
34	58043176		SPRING	
35	59056740Z		3+3 GEARBOX COMPLETE LEVER	
36	31241080		HEXAGON SELFLOCK NUT M8	
37	58057232Z		SPRING	
38	56356738Z		COMMAND LEVER	
39	55242528		JOINT	

Pos.	Id	Q.ty	Description	Note
1	38111191		O-RING 115 (11,91X2,62)	
2	31414130		WASHER 13	
3	F0831193010		SPRING DM.15X70	
4	34213020		ROLL PIN	
5	55257321		STOP	
6	56157324		PTO LEVER	
7	34213024		ROLL PIN	
8	56157364N		PULL ROD	
9	55157212		GRIP	
10	55157213		GRIP	
11	31100451		SCREW 3,5X25	
12	52357250		PIN	
13	38211400		OIL SEAL 14X22X4	
14	31112149		SCREW TE M8X12 UNI 5739 8G	
15	31423084		SPRING WASHER 8,4	
16	31411084		WASHER 8,4x17	
17	59057317		LEVER	



Pos.	Id	Q.ty	Description	Note
18	56147574		INVERTER BLOCK	
19	34110028		SPLIT PIN A3X15 UNI 1336	
20	31411104		WASHER 10,5x18	
21	55248379		PTO JOINT	
22	55257313		ROLLER	
23	56147672		GUIDE PIN	
24	56147560		STOP	
25	58047671		SPRING	
26	31241120		SELFLOCK NUT M12	
27	31411130		WASHER 13x24	
28	59057008		SUPPORT	
29	30010120		SILENT-BLOCK 12X40X58X66	
30	31112701		SCREW TE M12X100 UNI 5737	
31	56156809H		GEAR SELECTOR	
32	56157303Z		SPACER	
33	37911532		BALL 15/32	
34	58043176		SPRING	
35	59056740Z		3+3 GEARBOX COMPLETE LEVER	
36	31241080		HEXAGON SELFLOCK NUT M8	
37	58057232Z		SPRING	
38	56356738Z		COMMAND LEVER	
39	55242528		JOINT	





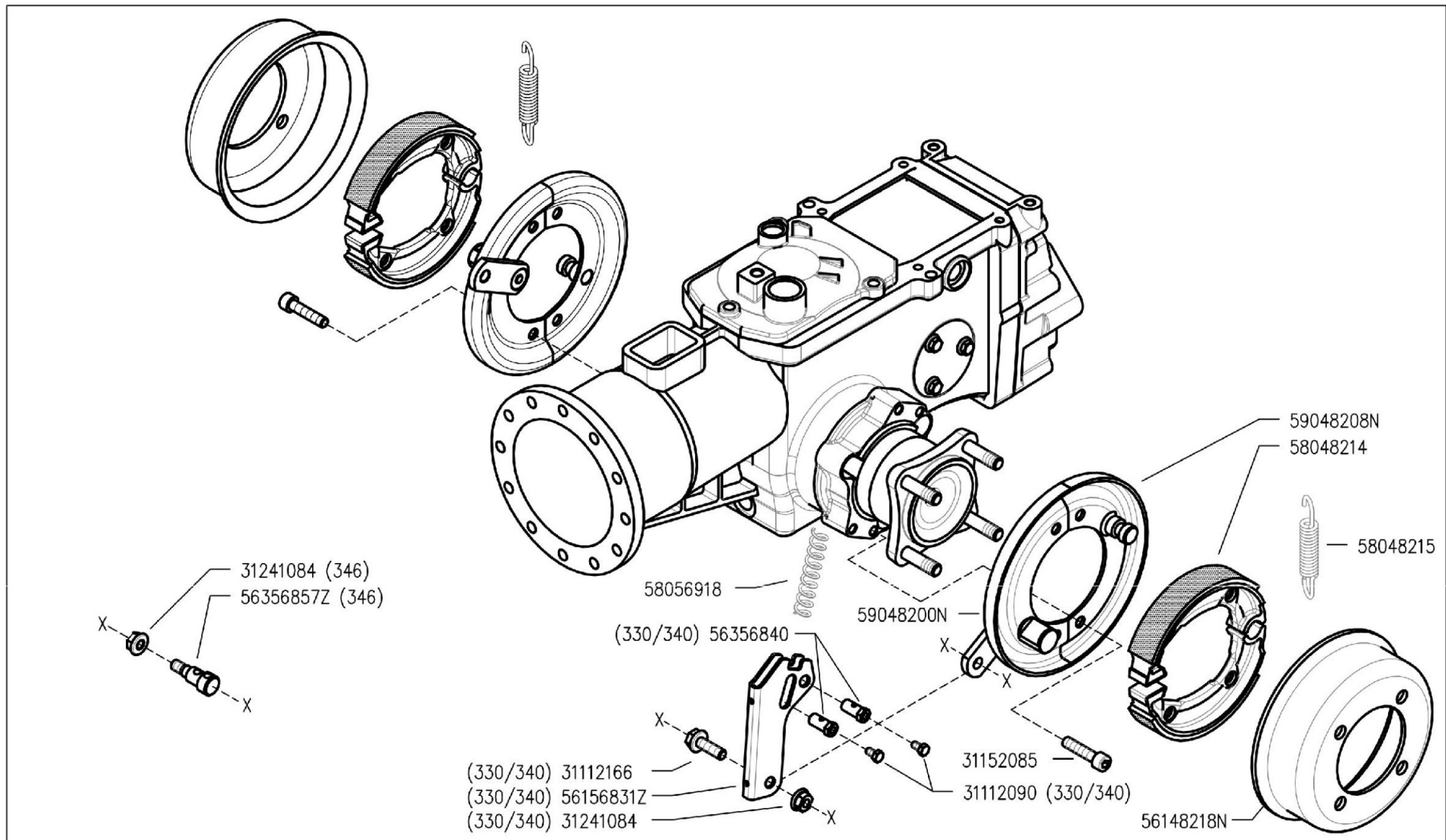

i = info - stop 2 sec. ★ = new part

Pos.	Id	Q.ty	Description	Note
1	31112171		SCREW TE C/F M8X16 DIN 6921	
2	55242528		JOINT	
3	56356738Z		COMMAND LEVER	
4	34213020		ROLL PIN	
5	55257321		STOP	
6	561C1043Z		LEVA PDF LUNGA ZNT	REPLACES 52357250 + 56157324N
7	34213024		ROLL PIN	
8	56157364N		PULL ROD	
9	55157212		GRIP	
10	55157213		GRIP	
11	31100451		SCREW 3,5X25	
12	590C1040Z		COMPLETE PTO LEVER GALV.	REPLACES 52357250 + 56157324N
13	38211400		OIL SEAL 14X22X4	
14	31112149		SCREW TE M8X12 UNI 5739 8G	
15	31423084		SPRING WASHER 8,4	
16	31411084		WASHER 8,4x17	
17	59057317		LEVER	
18	56147574		INVERTER BLOCK	
19	34110028		SPLIT PIN A3X15 UNI 1336	
20	31411104		WASHER 10,5x18	
21	55248379		PTO JOINT	
22	55257313		ROLLER	
23	56147672		GUIDE PIN	
24	56147560		STOP	
25	58047671		SPRING	
26	31241120		SELFLOCK NUT M12	
27	31411130		WASHER 13x24	
28	59057008		SUPPORT	
29	30010120		SILENT-BLOCK 12X40X58X66	



Pos.	Id	Q.ty	Description	Note
30	31112701		SCREW TE M12X100 UNI 5737	
31	56156809H		GEAR SELECTOR	
32	56157303Z		SPACER	
33	37911532		BALL 15/32	
34	58043176		SPRING	
35	59056740Z		3+3 GEARBOX COMPLETE LEVER	
36	31241080		HEXAGON SELFLOCK NUT M8	
37	58057232Z		SPRING	



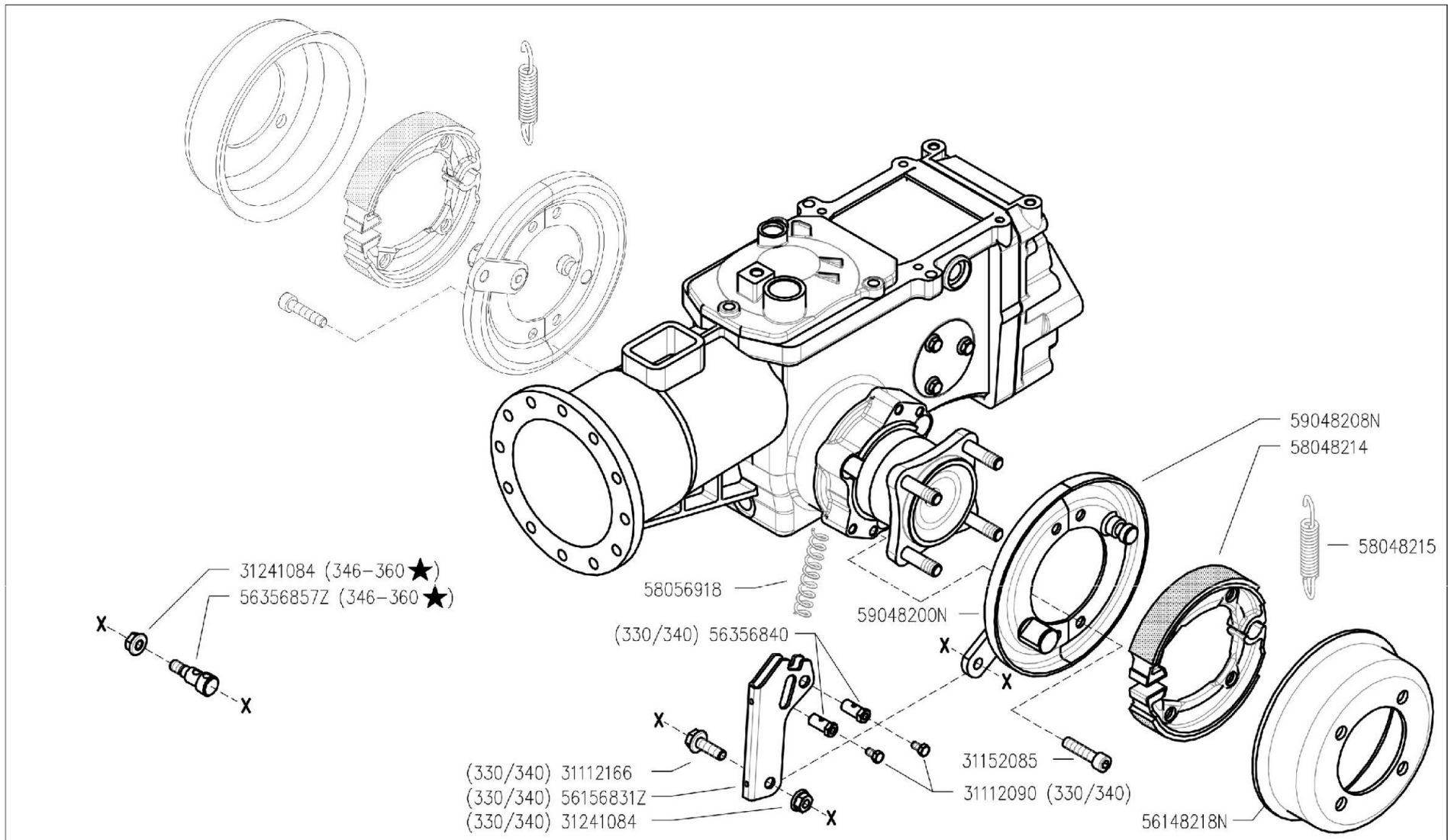


	300 serie PS PowerSafe®	BRAKES FRENOS	FRENI (330-340-346)	FREINS BREMSEN	DALLA MACCHINA DE LA MAQUINA FROM THE MACHINE AB DER MASCHINE N.	Rev.
						N02 0
						05/2009

DITE.FCS - Scala 1:4

Pos.	Id	Q.ty	Description	Note
31112090	31112090	1	SCREW TE M6X16 UNI 5739 8G	
31112166	31112166	1	SCREW TE C/F M8X25 DIN 6921 8G	
31152085	31152085	1	SCREW TCEI M8X25 UNI 5931	
31241084	31241084	1	SELFLOCK NUT M8 6S	
56356840	56356840	1	CLAMPING SCREW	
58048214	58048214	1	BRAKE BLOCK	
58048215	58048215	1	SPRING	
58056918	58056918	1	SPRING	
56148218N	56148218N	1	BRAKE DRUM	
56156831Z	56156831Z	1	FORK	
56356857Z	56356857Z	1	STOP	
59048200N	59048200N	1	HALF DISC	
59048208N	59048208N	1	HALF DISC	

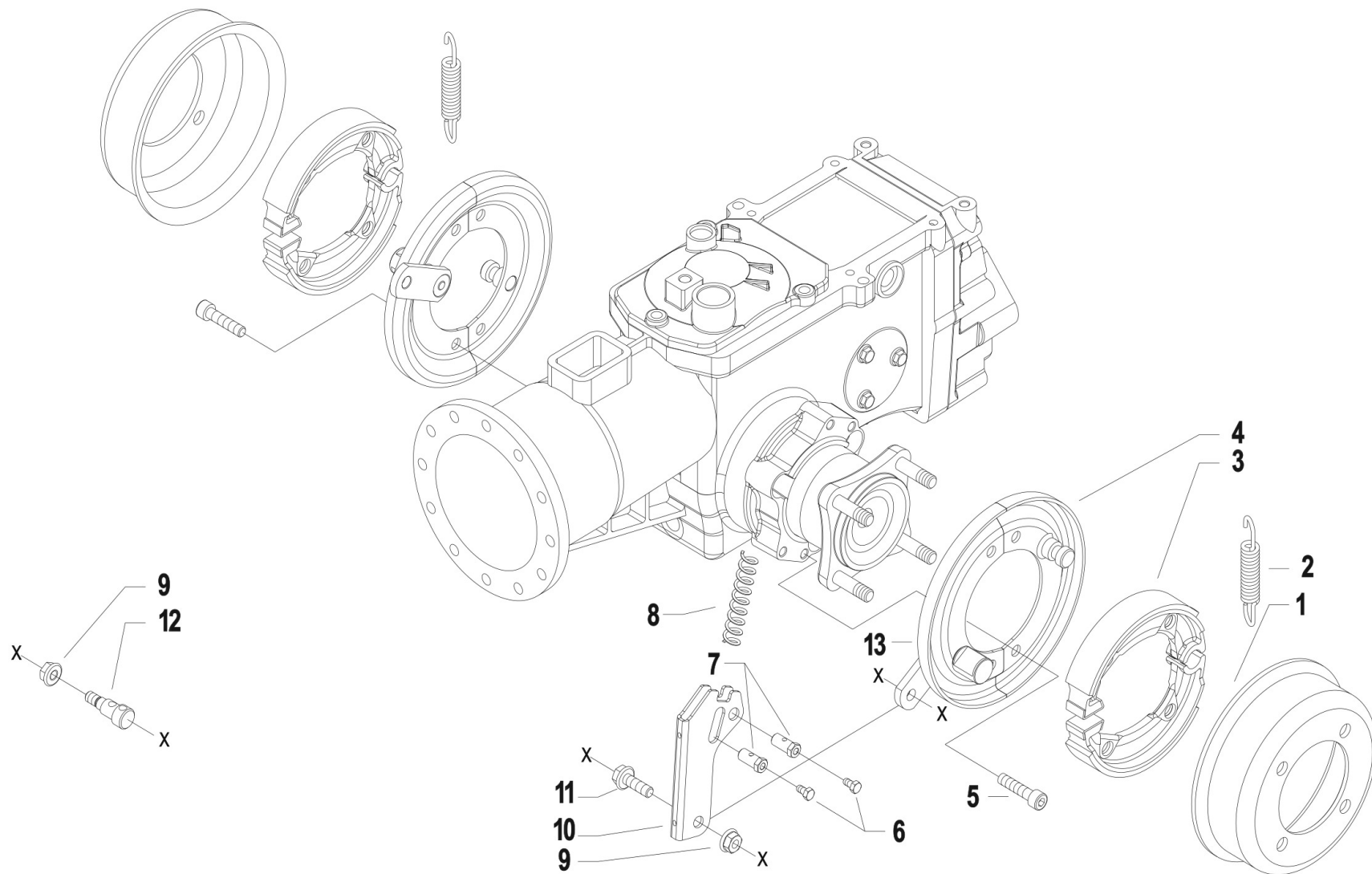




	<h1>300 serie PS</h1> <h2>PowerSafe®</h2>	BRAKES FRENOS	FRENI (330-340-346-360 ★)	FREINS BREMSEN	DALLA MACCHINA DE LA MAQUINA FROM THE MACHINE AB DER MASCHINE	AGGIORNAMENTO APLAZAMIENTO MISE A JOUR REVISION ANPASSUNG	<div style="font-size: 2em; font-weight: bold;">N02</div> <div style="font-size: 1.5em; font-weight: bold;">11/2010</div>	Rev. 1
			★ N.		DITEBCS - Scala 1:4			

Pos.	Id	Q.ty	Description	Note
31112090	31112090	1	SCREW TE M6X16 UNI 5739 8G	
31112166	31112166	1	SCREW TE C/F M8X25 DIN 6921 8G	
31152085	31152085	1	SCREW TCEI M8X25 UNI 5931	
31241084	31241084	1	SELFLOCK NUT M8 6S	
56356840	56356840	1	CLAMPING SCREW	
58048214	58048214	1	BRAKE BLOCK	
58048215	58048215	1	SPRING	
58056918	58056918	1	SPRING	
56148218N	56148218N	1	BRAKE DRUM	
56156831Z	56156831Z	1	FORK	
56356857Z	56356857Z	1	STOP	
59048200N	59048200N	1	HALF DISC	
59048208N	59048208N	1	HALF DISC	

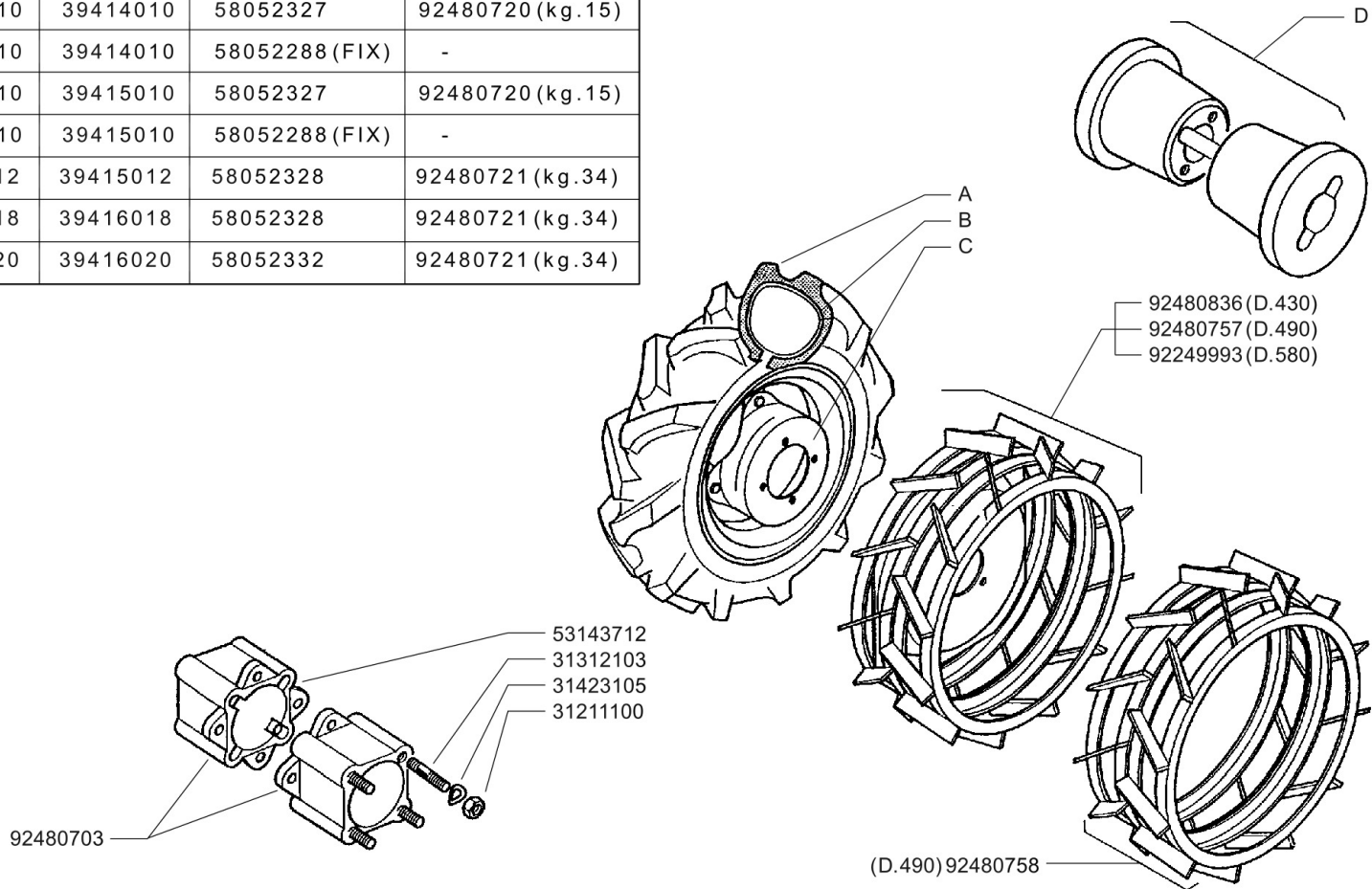




Pos.	Id	Q.ty	Description	Note
1	56148218N	1	BRAKE DRUM	
2	58048215	1	SPRING	
3	58048214	1	BRAKE BLOCK	
4	59048208N	1	HALF DISC	
5	31152085	1	SCREW TCEI M8X25 UNI 5931	
6	31112090	1	SCREW TE M6X16 UNI 5739 8G	Used in the models 330/338/340 PS Series
7	56356840	1	CLAMPING SCREW	Used in the models 330/338/340 PS Series
8	58056918	1	SPRING	
9	31241084	1	SELFLOCK NUT M8 6S	
10	56156831Z	1	FORK	Used in the models 330/338/340 PS Series
11	31112166	1	SCREW TE C/F M8X25 DIN 6921 8G	Used in the models 330/338/340 PS Series
12	56356857Z	1	STOP	Used in the models 346/360 PS Series
13	59048200N	1	HALF DISC	



	A	B	C	D
4.00 - 8"	39114008	39414008	58052326	92480719 (kg.11)
4.0 - 10"	39114010	39414010	58052327	92480720 (kg.15)
4.0 - 10"	39114010	39414010	58052288 (FIX)	-
5.0 - 10"	39115010	39415010	58052327	92480720 (kg.15)
5.0 - 10"	39115010	39415010	58052288 (FIX)	-
5.00 - 12"	39115012	39415012	58052328	92480721 (kg.34)
6.5/80 - 12"	39116018	39416018	58052328	92480721 (kg.34)
6.5/80 - 15"	39116020	39416020	58052332	92480721 (kg.34)

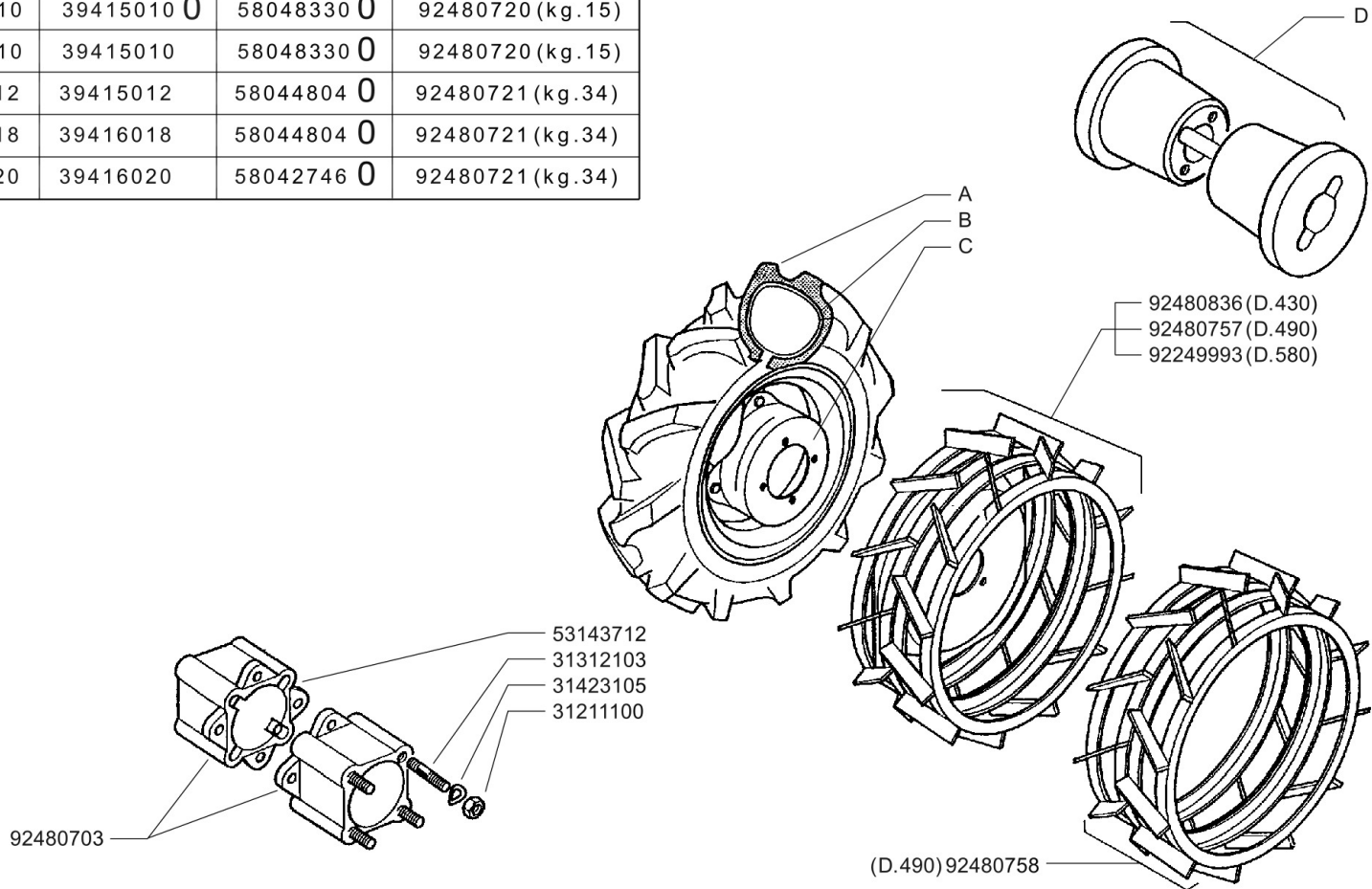


FERRARI	300 serie PS PowerSafe®	WHEELS RUEDAS	RUOTE	ROUES RÄDER	DALLA MACCHINA FROM THE MACHINE DE LA MACHINE DE LA MAQUINA AB DER MASCHINE	N.	Rev. P01 0

Pos.	Id	Q.ty	Description	Note
31211100	31211100	1	NUT M10	
31312103	31312103	1	STUD BOLT M10X46X24X16	
31423105	31423105	1	SPRING WASHER 10,5	
39114008	39114008	1	TYRE 4.00-8 2PR	
39114010	39114010	1	TYRE 4.0-10 2PR	
39115010	39115010	1	TYRE 5.00-10 2PR	
39115012	39115012	1	TYRE 5.00-12 2PR	
39116018	39116018	1	TYRE 6.5/80-12 2PR	
39116020	39116020	1	TYRE 6.5/80-15 4PR	
39414008	39414008	1	INNER TUBE X 4.00-8	
39414010	39414010	1	INNER TUBE x 4.0-10	
39415010	39415010	1	INNER TUBE X 4.0/5.0-10	
39415012	39415012	1	INNER TUBE	
39416018	39416018	1	INNER TUBE X 6-5/80-12	
39416020	39416020	1	INNER TUBE X 6.5/80-15	
53143712	53143712	1	SPACER	
58052288	58052288	1	RIM 3.50 D10 C/F 1003	
58052326	58052326	1	RIM	
58052327	58052327	1	RIM	
58052328	58052328	1	RIM 5JA12 RAL 1003	
58052332	58052332	1	RIM 5J15 CR	
92249993	92249993	1	STEEL CAGE WHEELS D. 58 (PAIR)	
92480703	92480703	1	SPACER CM. 6 FOR WHEELS (PAIR)(0901012301)	
92480719	92480719	1	WEIGHTS KG. 11 FOR WHEELS 4.00-8 FOR 305/306 (PAIR)	
92480720	92480720	1	WEIGHTS KG. 15 FOR WHEELS 4.0-10 AND 5.0-10 FOR 305/306/307 (PAIR)	
92480721	92480721	1	WEIGHTS KG. 34 FOR WHEELS 5.00-12 / 6.5/80-12 (PAIR) (0901012307)	
92480757	92480757	1	CAGE WHEELS DIAM. CM. 49 FOR 306/30 (PAIR) (0901012315)	
92480758	92480758	1	ADAPTER RINGS FOR MOUNTING STEEL CAGE WHEELS CM. 49 (PAIR)	
92480836	92480836	1	STEEL CAGE WHEELS DIAM. 43 CM.	



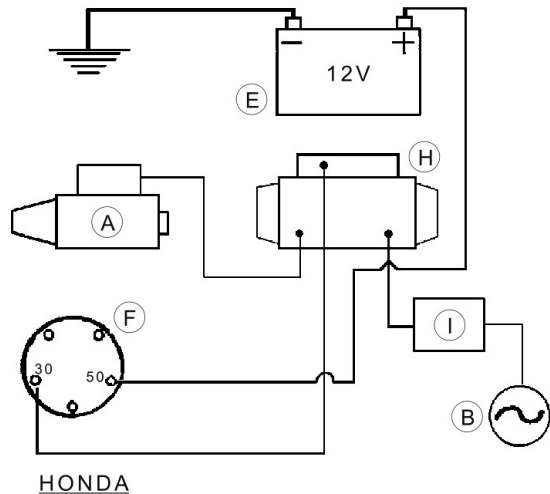
	A	B	C	D
4.00 - 8"	39114008	39414008	58043250 0	92480719 (kg.11)
4.0 - 10"	39114010	39415010 0	58048330 0	92480720 (kg.15)
5.0 - 10"	39115010	39415010	58048330 0	92480720 (kg.15)
5.00 - 12"	39115012	39415012	58044804 0	92480721 (kg.34)
6.5/80 - 12"	39116018	39416018	58044804 0	92480721 (kg.34)
6.5/80 - 15"	39116020	39416020	58042746 0	92480721 (kg.34)



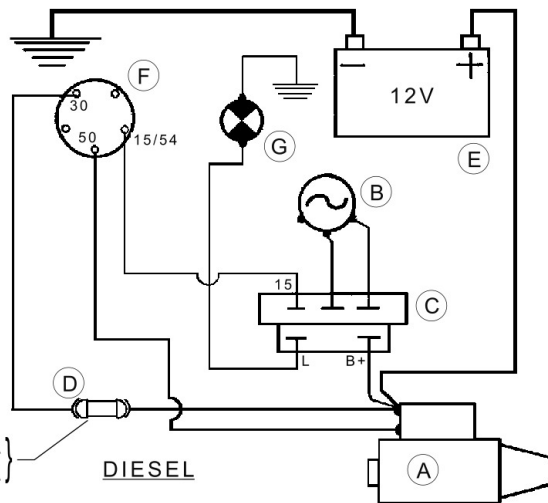
	300 serie PS <i>PowerSafe</i> ®	RUOTE WHEELS RUEDAS	ROUES RÄDER	DALLA MACCHINA FROM THE MACHINE DE LA MACHINE DE LA MAQUINA AB DER MASCHINE ON.	AGGIORNAMENTO	P01	Rev. 1
					REVISION		11/2010
					MISE A JOUR		
					APLAZAMIENTO		
					ANPASSUNG		

Pos.	Id	Q.ty	Description	Note
31211100	31211100	1	NUT M10	
31312103	31312103	1	STUD BOLT M10X46X24X16	
31423105	31423105	1	SPRING WASHER 10,5	
39114008	39114008	1	TYRE 4.00-8 2PR	
39114010	39114010	1	TYRE 4.0-10 2PR	
39115010	39115010	1	TYRE 5.00-10 2PR	
39115012	39115012	1	TYRE 5.00-12 2PR	
39116018	39116018	1	TYRE 6.5/80-12 2PR	
39116020	39116020	1	TYRE 6.5/80-15 4PR	
39414008	39414008	1	INNER TUBE X 4.00-8	
39414010	39414010	1	INNER TUBE x 4.0-10	
39415010	39415010	1	INNER TUBE X 4.0/5.0-10	
39415012	39415012	1	INNER TUBE	
39416018	39416018	1	INNER TUBE X 6-5/80-12	
39416020	39416020	1	INNER TUBE X 6.5/80-15	
53143712	53143712	1	SPACER	
58042746	58042746	1	RIM 5J15 CR	
58043250	58043250	1	RIM 2.50-8	
58044804	58044804	1	RIM 5JA12	
58048330	58048330	1	RIM 3.50D10 CR	
58052332	58052332	1	RIM 5J15 CR	
92249993	92249993	1	STEEL CAGE WHEELS D. 58 (PAIR)	
92480703	92480703	1	SPACER CM. 6 FOR WHEELS (PAIR)(0901012301)	
92480719	92480719	1	WEIGHTS KG. 11 FOR WHEELS 4.00-8 FOR 305/306 (PAIR)	
92480720	92480720	1	WEIGHTS KG. 15 FOR WHEELS 4.0-10 AND 5.0-10 FOR 305/306/307 (PAIR)	
92480721	92480721	1	WEIGHTS KG. 34 FOR WHEELS 5.00-12 / 6.5/80-12 (PAIR) (0901012307)	
92480757	92480757	1	CAGE WHEELS DIAM. CM. 49 FOR 306/30 (PAIR) (0901012315)	
92480758	92480758	1	ADAPTER RINGS FOR MOUNTING STEEL CAGE WHEELS CM. 49 (PAIR)	
92480836	92480836	1	STEEL CAGE WHEELS DIAM. 43 CM.	



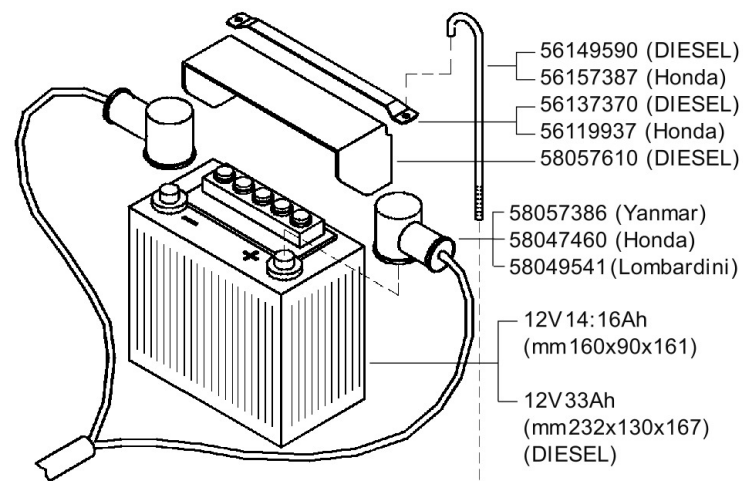


HONDA



(Yanmar) 15A
(Lombardini) 25A

DIESEL



- 56149590 (DIESEL)
- 56157387 (Honda)
- 56137370 (DIESEL)
- 56119937 (Honda)
- 58057610 (DIESEL)

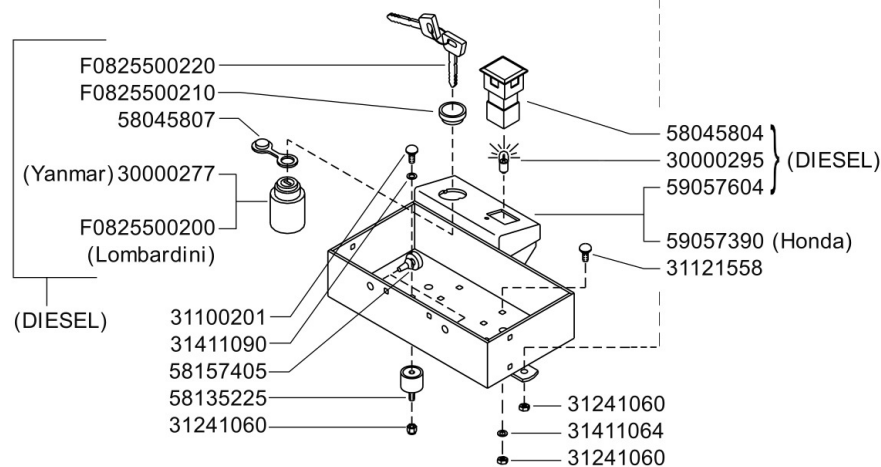
- 58057386 (Yanmar)
- 58047460 (Honda)
- 58049541 (Lombardini)

12V 14: 16Ah
(mm 160x90x161)

12V 33Ah
(mm 232x130x167)
(DIESEL)

A	B	C	D
MOTORINOD'AVVIAMENTO STARTER DÉMARREUR MOT. DE ARRANQUE ANLASSMOTOR	GENERATORE GENERATOR GÉNÉRATEUR GENERADOR GENERATOR	REGOLATORE REGULATOR RÉGULATEUR RÉGULADOR REGLER	FUSIBILI FUSES FUSIBLES FUSIBLES SCHMELZSICHERUNGEN

E	F	G	H	I
BATTERIA BATTERY BATTERIE BATERIA BATTERIE	INTERRUTTORE SWITCH INTERRUPTEUR INTERRUPTOR SCHALTER	SPIA CARICABATTERIA BATTERY LONG WARN. LIGHT TEMOIN CHARG. BATTERIE LUZ CARGA BATERIA BATTERIE LADUNG KTRL. LAMPE	SOLENOIDE SOLENOID SOLÉNOÏDE SOLENOIDE SOLENOID	DIODO DIODE DIODE DIODO DIODE



- F0825500220
- F0825500210
- 58045807
- (Yanmar) 30000277
- F0825500200
(Lombardini)

(DIESEL)

- 31100201
- 31411090
- 58157405
- 58135225
- 31241060

- 58045804
- 30000295 } (DIESEL)
- 59057604
- 59057390 (Honda)
- 31121558

- 31241060
- 31411064
- 31241060

FERRARI

300 serie PS
PowerSafe®

AVVIAMENTO ELETTRICO

ELECTRIC STARTER
ARRANQUE ELECTRICO

DÉMARRAGE ELECTRIQUE
ELEKTROSTART

DALLA MACCHINA
FROM THE MACHINE
DE LA MACHINE
DE LA MAQUINA
AB DER MASCHINE

N.

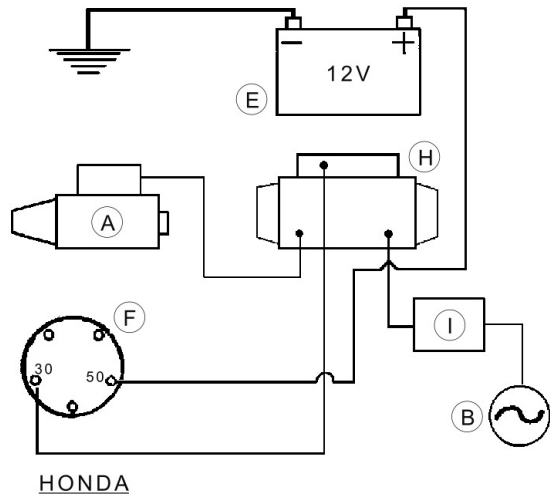
Rev. **Q01 0**

05/2009

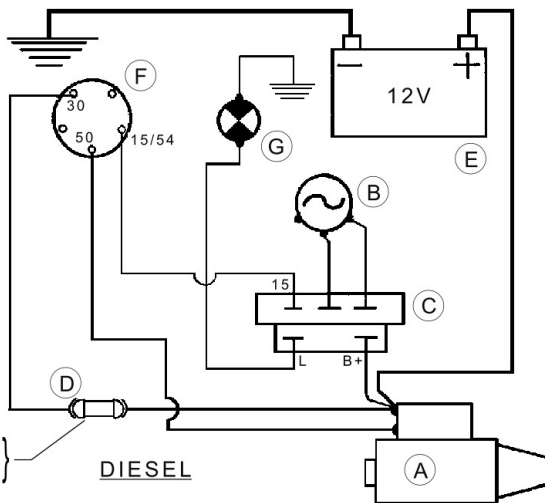
ZENIT

Pos.	Id	Q.ty	Description	Note
30000277	30000277	1	SWITCH	
30000295	30000295	1	LAMP 12V-5W-W2,1X9,5D	
31100201	31100201	1	SCREW TTQ M6X12 UNI 5731	
31121558	31121558		SCREW TTQ M6X16 UNI 5731	
31241060	31241060	1	HEXAGON SELFLOCK NUT M6	
31411064	31411064	1	WASHER 6,4x12,5	
31411090	31411090	1	WASHER 9x24	
56119937	56119937	1	BATTERY SUPPORT	
56137370	56137370	1	BATTERY BRACKET	
56149590	56149590	1	BATTERY BRACKET	
56157387	56157387	1	ROD	
58045804	58045804	1	WARNING LIGHT	
58045807	58045807	1	LOCK COVER	
58047460	58047460	1	WIRING	
58049541	58049541	1	WIRING	
58057386	58057386	1	WIRING	
58057610	58057610	1	BOX	
58135225	58135225		VIBRATION-DAMPING	
58157405	58157405	1	PLUG	
59057390	59057390	1	BOX	
59057604	59057604	1	BOX	
F0825500200	F0825500200	1	CHANGE-OVER SWITCH	
F0825500210	F0825500210	1	RING NUT	
F0825500220	F0825500220	1	KEY	



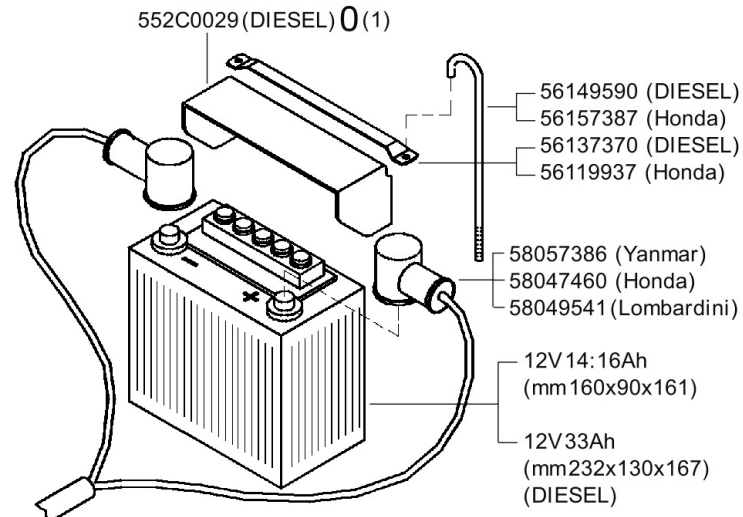


HONDA



(Yanmar) 15A
(Lombardini) 25A

DIESEL



552C0029 (DIESEL) 0 (1)

- 56149590 (DIESEL)
- 56157387 (Honda)
- 56137370 (DIESEL)
- 56119937 (Honda)

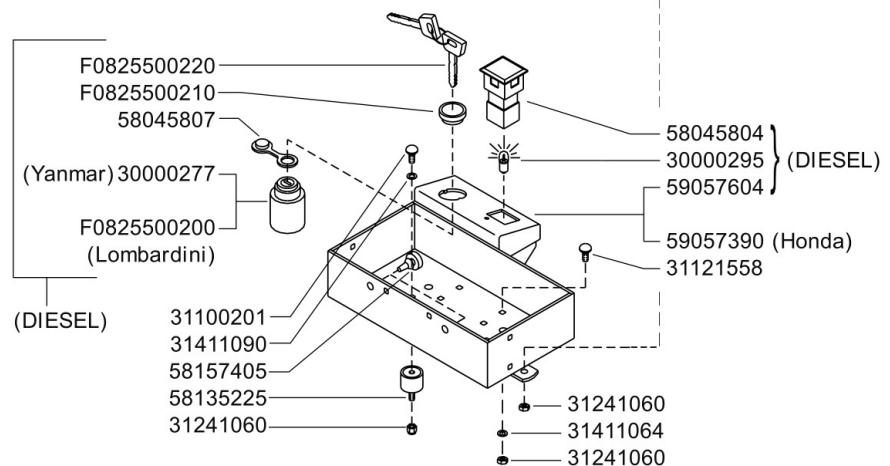
- 58057386 (Yanmar)
- 58047460 (Honda)
- 58049541 (Lombardini)

12V 14: 16Ah
(mm 160x90x161)

12V 33Ah
(mm 232x130x167)
(DIESEL)

A	B	C	D
MOTORINOD'AVVIAMENTO STARTER DÉMARREUR MOT. DE ARRANQUE ANLASSMOTOR	GENERATORE GENERATOR GÉNÉRATEUR GENERADOR GENERATOR	REGOLATORE REGULATOR RÉGULATEUR RÉGULADOR REGLER	FUSIBILI FUSES FUSIBLES FUSIBLES SCHMELZSICHERUNGEN

E	F	G	H	I
BATTERIA BATTERY BATTERIE BATERIA BATTERIE	INTERRUTTORE SWITCH INTERRUPTEUR INTERRUPTOR SCHALTER	SPIA CARICABATTERIA BATTERY LONG WARN. LIGHT TEMOIN CHARG. BATTERIE LUZ CARGA BATERIA BATTERIE LADUNGKTRL. LAMPE	SOLENOIDE SOLENOID SOLÉNOÏDE SOLENOÏDE SOLENOID	DIODO DIODE DIODE DIODO DIODE



- F0825500220
- F0825500210
- 58045807
- (Yanmar) 30000277
- F0825500200
(Lombardini)

(DIESEL)

- 31100201
- 31411090
- 58157405
- 58135225
- 31241060

- 58045804
- 30000295 (DIESEL)
- 59057604
- 59057390 (Honda)
- 31121558

- 31241060
- 31411064
- 31241060

(1) sostituisce 58057610

	300 serie PS PowerSafe®	AVVIAMENTO ELETTRICO		DALLA MACCHINA FROM THE MACHINE DE LA MACHINE DE LA MAQUINA AB DER MASCHINE	Rev. 1
		ELECTRIC STARTER ARRANQUE ELECTRICO	DÉMARRAGE ELECTRIQUE ELEKTROSTART		

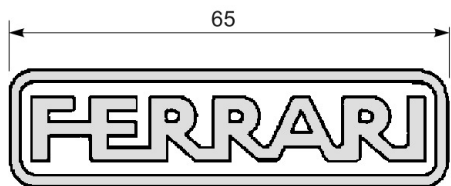
Pos.	Id	Q.ty	Description	Note
30000277	30000277	1	SWITCH	
30000295	30000295	1	LAMP 12V-5W-W2,1X9,5D	
31100201	31100201	1	SCREW TTQ M6X12 UNI 5731	
31121558	31121558		SCREW TTQ M6X16 UNI 5731	
31241060	31241060	1	HEXAGON SELFLOCK NUT M6	
31411064	31411064	1	WASHER 6,4x12,5	
31411090	31411090	1	WASHER 9x24	
552C0029	552C0029	1	COVER	
56119937	56119937	1	BATTERY SUPPORT	
56137370	56137370	1	BATTERY BRACKET	
56149590	56149590	1	BATTERY BRACKET	
56157387	56157387	1	ROD	
58045804	58045804	1	WARNING LIGHT	
58045807	58045807	1	LOCK COVER	
58047460	58047460	1	WIRING	
58049541	58049541	1	WIRING	
58057386	58057386	1	WIRING	
58135225	58135225		VIBRATION-DAMPING	
58157405	58157405	1	PLUG	
59057390	59057390	1	BOX	
59057604	59057604	1	BOX	
F0825500200	F0825500200	1	CHANGE-OVER SWITCH	
F0825500210	F0825500210	1	RING NUT	
F0825500220	F0825500220	1	KEY	



58056864	58056866	58057746	58057451	58057676	58057724					
58056867	58056868	58057450	58057748	58057677	58057767					
58056869	58057732	58057747	58057625	58093089	58057677	58057768				
	300 serie PS <i>PowerSafe</i> ®	STICKERS ADHESIVOS	ADESME	AUTOCOLLANTS AUFKLEBES	DALLA MACCHINA FROM THE MACHINE DE LA MACHINE DE LA MAQUINA AB DER MASCHINE	N.	R01 0	05/2009	Rev.	ZENE

Pos.	Id	Q.ty	Description	Note
58056864	58056864	1	DECAL	
58056866	58056866	1	DECAL	
58056867	58056867	1	DECAL	
58056868	58056868	1	DECAL	
58056869	58056869	1	DECAL	
58057450	58057450	1	DECAL	
58057451	58057451	1	DECAL	
58057625	58057625	1	DECAL	
58057676	58057676	1	DECAL	
58057677	58057677	1	DECAL	
58057724	58057724	1	DECAL	
58057732	58057732	1	DECAL	
58057746	58057746	1	DECAL	
58057747	58057747	1	DECAL	
58057748	58057748	1	DECAL	
58057767	58057767	1	DECAL	
58057768	58057768	1	DECAL	
58093089	58093089	1	DECAL	

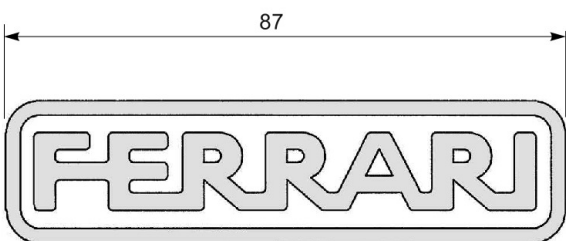




58052156



53057666



58052019



58052037



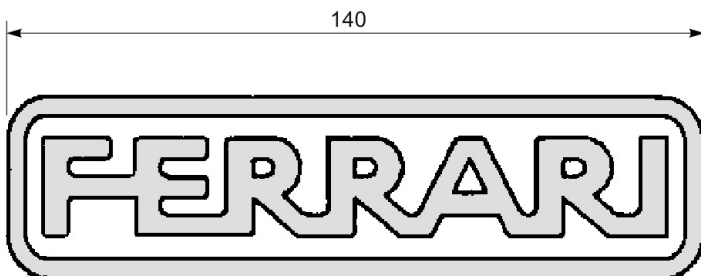
58052038



58052039



58052047



58052029



58052152



300 serie **PS**
PowerSafe®

STICKERS
ADHESIVOS

ADESIME

AUTOCOLLANTS
AUFKLEBES

DALLA MACCHINA
FROM THE MACHINE
DE LA MACHINE
DE LA MAQUINA
AB DER MASCHINE

N.

R02 0

05/2009

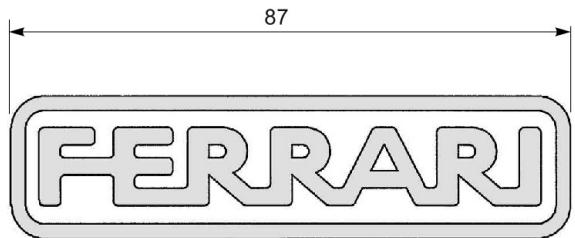
Rev.

28/11

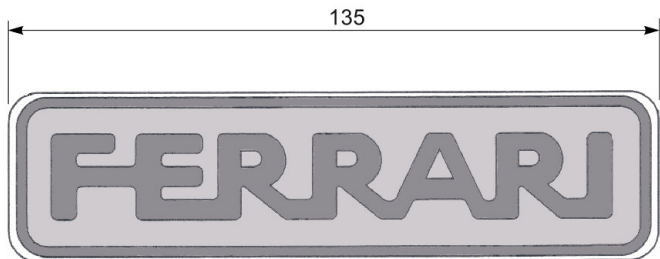


Pos.	Id	Q.ty	Description	Note
53057666	53057666	1	POWERSAFE BRAND	
58052019	58052019	1	DECAL	
58052029	58052029	1	DECAL	
58052037	58052037	1	DECAL 310 TRENDY	
58052038	58052038	1	DECAL 320 TRENDY	
58052039	58052039	1	DECAL 330 TRENDY	
58052047	58052047	1	DECAL 340 TRENDY	
58052152	58052152	1	DECAL 346	
58052156	58052156	1	DECAL	

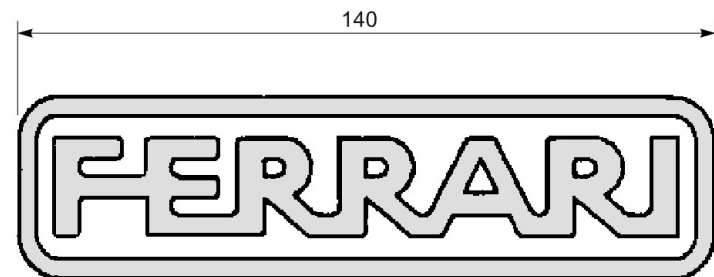




58052019



53052176 U



58052029



53057666



58052037



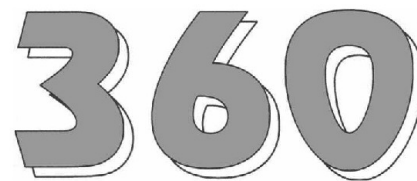
58052038



58052039



58052047



58052191 0



58052152



300 serie **PS**
PowerSafe®

STICKERS
ADHESIVOS

ADESIME

AUTOCOLLANTS
AUFKLEBES

DALLA MACCHINA
FROM THE MACHINE
DE LA MACHINE
DE LA MAQUINA
AB DER MASCHINE

ON.

AGGIORNAMENTO

REVISION

MISE A JOUR

APLAZAMIENTO

ANPASSUNG

R02 1

11/2010

Rev.

2/11



Pos.	Id	Q.ty	Description	Note
53052176	53052176	1	BIG FERRARI BRAND	
53057666	53057666	1	POWERSAFE BRAND	
58052019	58052019	1	DECAL	
58052029	58052029	1	DECAL	
58052037	58052037	1	DECAL 310 TRENDY	
58052038	58052038	1	DECAL 320 TRENDY	
58052039	58052039	1	DECAL 330 TRENDY	
58052047	58052047	1	DECAL 340 TRENDY	
58052152	58052152	1	DECAL 346	
58052191	58052191	1	DECAL 360 /11	



PowerSafe ®

1



6



7

EasyDrive ®

2



8



9



3



4



10



11



5



12



13

Pos.	Id	Q.ty	Description	Note
1	53057666	1	POWERSAFE BRAND	
2	53057670	1	DECAL	
3	53052175	1	MEDIUM FERRARI BRAND	
4	530C0056	1	DECAL MADE IN ITALY	
5	53052176	1	BIG FERRARI BRAND	
6	58052178	1	DECAL 310 /11	
7	58052179	1	DECAL 320 /11	
8	58052193	1	DECAL 328 /11	
9	58052180	1	DECAL 330 /11	
10	58052192	1	DECAL 338 /11	
11	58052181	1	DECAL 340 /11	
12	58052182	1	DECAL 346 /11	
13	58052191	1	DECAL 360 /11	

